

RCT-01076-I Load Manager

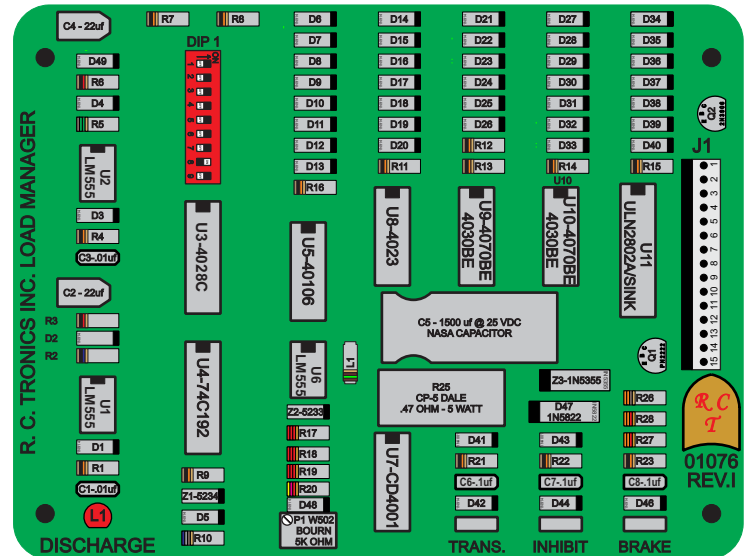
Setting "ON" at switches 1 thru 8.

*(Note; only one of these switches may be set.
All others must be set to the "OFF" position.)*

- #1 Switch Manages: One Load.
- #2 Switch Manages: Two Loads.
- #3 Switch Manages: Three Loads.
- #4 Switch Manages: Four Loads.
- #5 Switch Manages: Five Loads.
- #6 Switch Manages: Six Loads.
- #7 Switch Manages: Seven Loads.
- #8 Switch Manages: Eight Loads.
- #9 Switch Set "OFF": Outputs to Logic 1.
Set "ON": Outputs to logic 0.

Note:

**#9 Switch, set "OFF" for RCT-00743, RCT-01479
or RCT-02730, Ambulance Power Center System.**



Unit maintains battery current to safe levels by monitoring battery voltage. At a preset "CUT-IN" of 11.8 vdc it will remove up to eight loads on 30 second intervals. As battery reaches "CUT-OUT" of 13 vdc the unit will re-apply the loads in 3 minute intervals. The amount of loads is user adjustable, via DIP 1, switches 1 thru 8.

Adjusting P1 clock-wise, (twenty turn potentiometer) will cause the system to manage loads at a higher battery voltage. Example, preset "cut-in" 13 vdc with a "cut-out" 14 vdc.

To set: With a known "CUT-IN" system voltage of 11.8 vdc. Adjust P1 counter-clockwise until, "RED LED DISCHARGE IS OFF". Next, adjust P1 clockwise until, "RED LED DISCHARGE IS ON".

Trans. Switch: Enables unit, permits load management. (12 VDC common @ 1 ma. sink)

Inhibit Switch: Inhibits unit from removing connected loads. (VDC common @ 1 ma. sink)

Brake Switch: Re-applies all connected loads, momentary input. (12 VDC @ 1ma. Source)

J1-01 **Inhibit Switch:** Inhibits unit from removing connected loads. (VDC common @ 1 ma. sink)

J1-02 **Trans. Switch:** Enables unit permits load management. (VDC common @ 1 ma. sink)

J1-03 First On/Off.

J1-04 Second On/Off.

J1-05 Third On/Off.

J1-06 Forth On/Off.

J1-07 Fifth On/Off.

J1-08 Sixth On/Off.

J1-09 Seventh On/Off.

J1-10 Eighth On/Off.

J1-11 Battery Negative

J1-12 Battery Positive

J1-13 Discharge Signal. To Battery Negative 250 ma. Maxium.

J1-14 **Service Brake** Re-applies all connected loads, momentary input. (12 VDC @ 1ma. source)

J1-15 Start with all loads on when at Battery Negative.