

# R. C. Tronics Incorporated

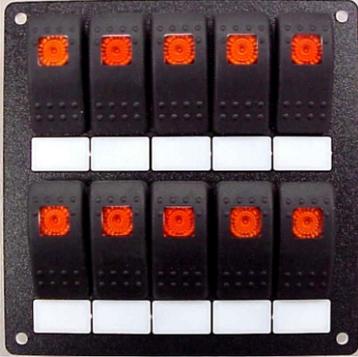
2573 East Kercher Road  
Goshen, Indiana 46528  
Toll Free 1-866-457-7790

Phone 1-574-642-3857  
Fax 1-574-642-3858  
<http://www.rctronics.com>

## Speciality Vehicle Power Center

RCT-01279-00000

Switch Center, Size 6x6 inch



RCT-01277-00000

Rotary Switch Center, Size 6x6 inch



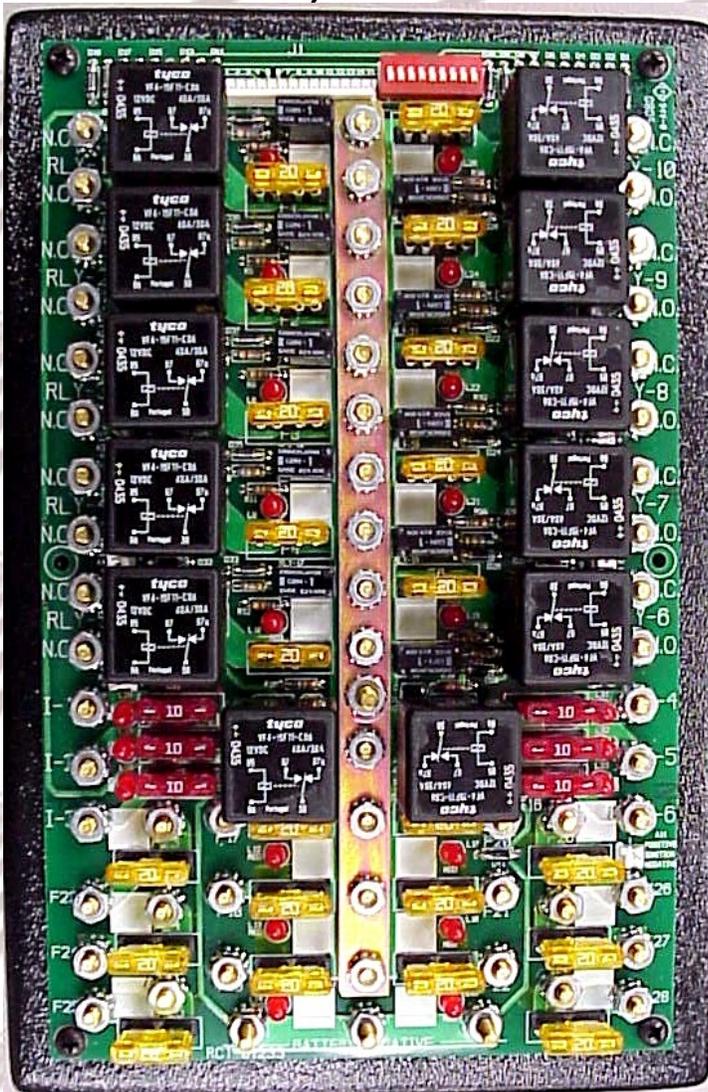
RCT-01276-00000

Slider Switch Center, Size 6x6 inch



RCT-01233-00000

Power Center, Size 7x10.25 inch



RCT-01295-00000

Switch Center, Size 2.85x7.25 inch



RCT-01297-00000

Rotary Switch Center, Size 2.85x7.25 inch



RCT-01296-000

Slider Switch Center, Size 2.85x7.25 inch



All "Switch Centers", have a progressive load capability which permits sequencing of loads, ie; "Rear Flash-Front Flash-Light Bar-Siren".

# R. C. Tronics Incorporated

2573 East Kercher Road  
Goshen, Indiana 46528  
Toll Free 1-866-457-7790

Phone 1-574-642-3857  
Fax 1-574-642-3858  
<http://www.rctronics.com>

## Police Vehicle Power Center RCT-01233-00000

+12 VDC, Size Conductor For Total Connected Load

J1 Header Supports all standard switch panels  
RCT-01276, RCT-01277 & RCT-01279  
or  
RCT-01295, RCT-01296 & RCT-01297

9 Position Dip-Switch Permits Rly-1  
thru Rly-10 to become progressively  
energized. (Rly-1 will remain on when  
Rly-2 is energized, ect.)

Rly-01 thru Rly-10 are en-  
ergized via J1 header  
located on Power Center,  
or by a positive or negative Rly-01

Rly-01

J1 heder interfaces with  
all six standard switch-  
panels, with gun lock  
safety interface.

Rly-02

Rly-03

Each relay is fuse or circuit  
breaker protected up to a  
maxim of 30 ampere.

Rly-04

Rly-05

Ignition Power, each output  
may be fused to 30 ampere  
Total current may not exceed  
30 ampere.

I-1

I-2

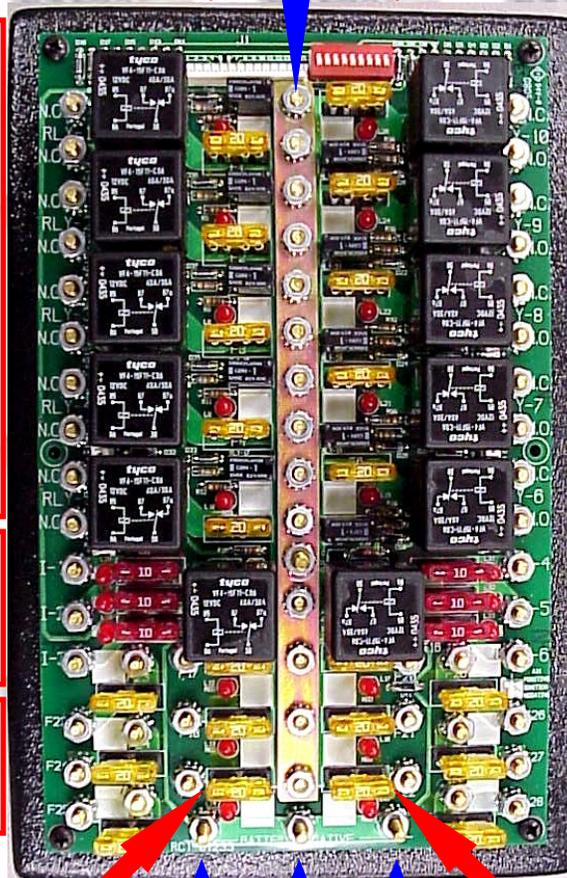
I-3

Three isolated fuses, maxim  
30 ampere.

F23

F24

F25



Rly-10

Each fuse is monitored  
with a red led to depict  
an open circuit.

Rly-09

Rly-08

Fuse can be removed and  
a ground may be placed  
so a ground may be  
output.

Rly-07

Rly-06

I-4

Ignition Power, each output  
may be fused to 30 ampere  
Total current may not exceed  
30 ampere.

I-5

I-6

F26

Three isolated fuses, maxim  
30 ampere.

F27

F28

F-17, F18 & F19 - 30 ampere maxim each

Battery Negative  
Size Main Conductor  
For Maxim Connected Load

F-20, F21 & F22 - 30 ampere maxim each