

R. C. Tronics, Incorporated

Specializing In Electronic Controls

2573 East Kercher Road
Goshen, Indiana 46526
Toll Free 1-866-457-7790

Phone 1-574-642-3857
Fax 1-574-642-3858
www.rctronics.com

Ambulance Power Center
RCT-02730A
APC-10



R. C. Tronics, Incorporated

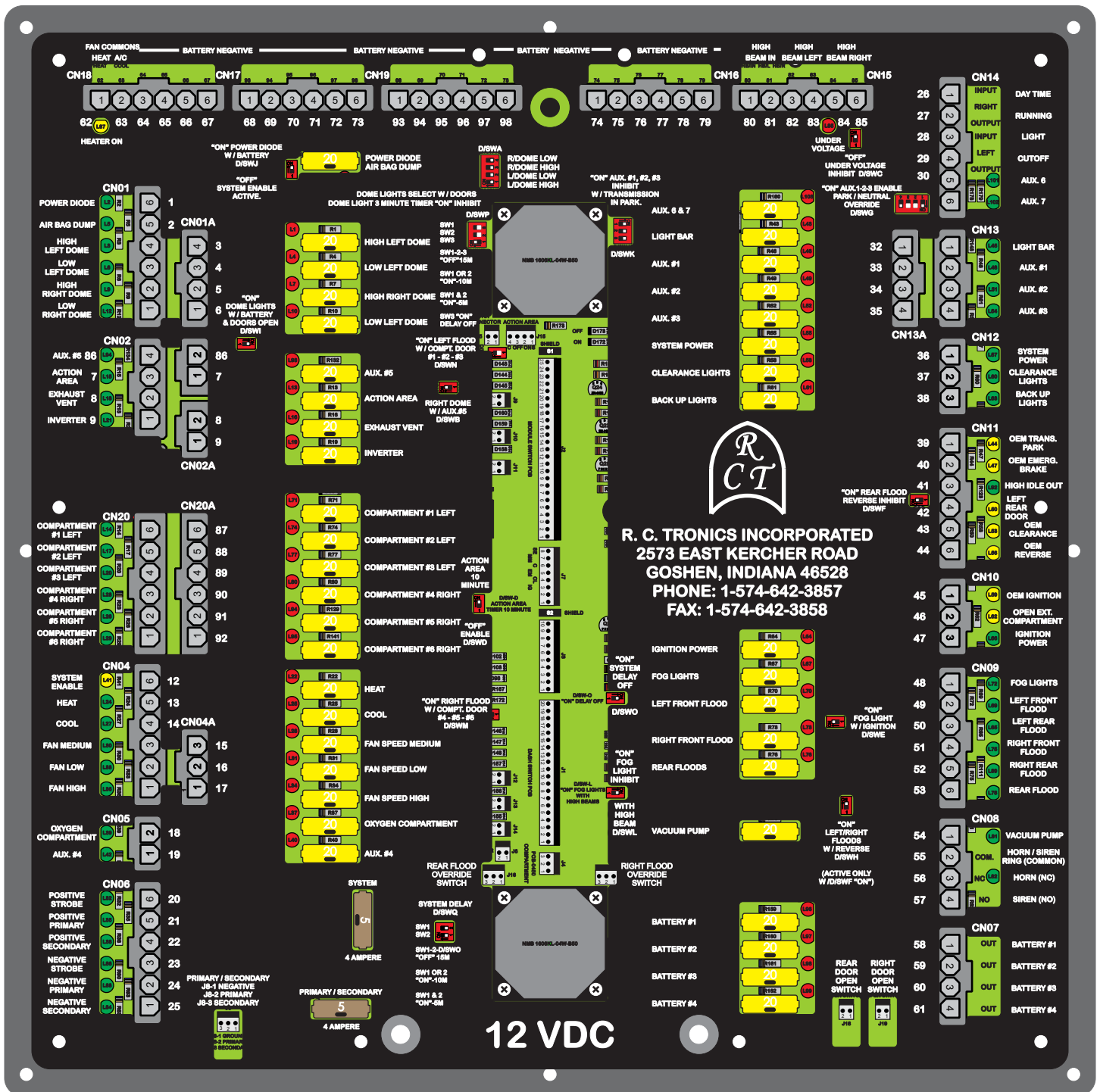
Specializing In Electronic Controls

2573 East Kercher Road
Goshen, Indiana 46528
Toll Free 1-866-457-7790

Phone 1-574-642-3857
Fax 1-574-642-3858
www.rctronics.com

RCT-02730 Ambulance Power Center APC-10

Size: 15 X15 x 2 Inches Shown Half Scale, Weight 3 Pounds



R. C. Tronics Incorporated

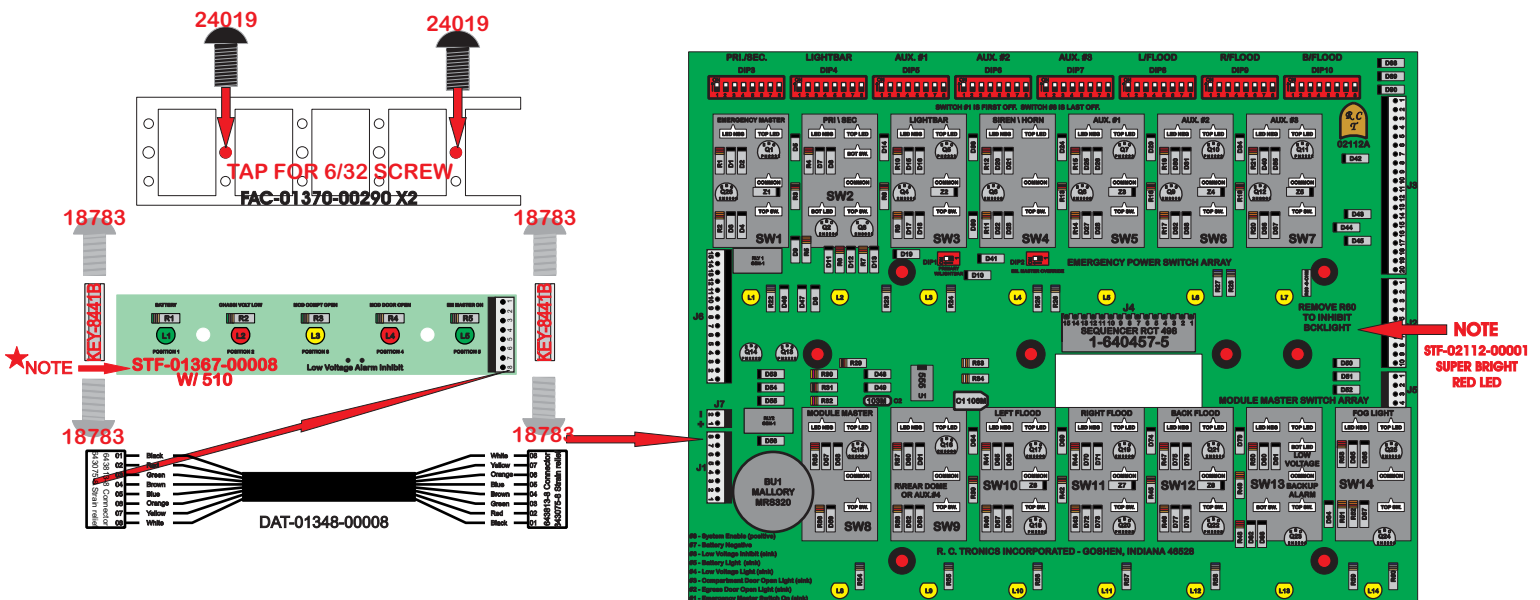
2573 East Kercher Road
Goshen, Indiana 46528
Toll Free 1-866-457-7790

RCT-02470-0__00

Phone 1-574-642-3857
Fax 1-574-642-3858
<http://www.rctronics.com>



FAC-02470-00000
Size 8.8 x 7.5 inches

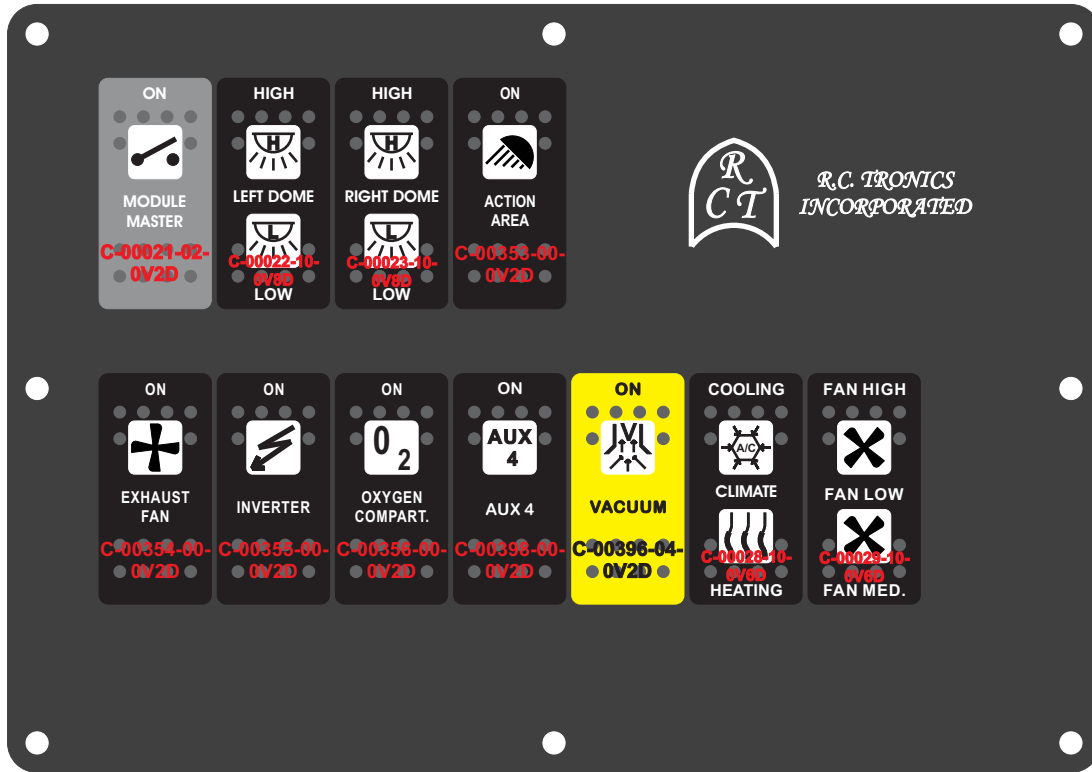


R. C. Tronics Incorporated

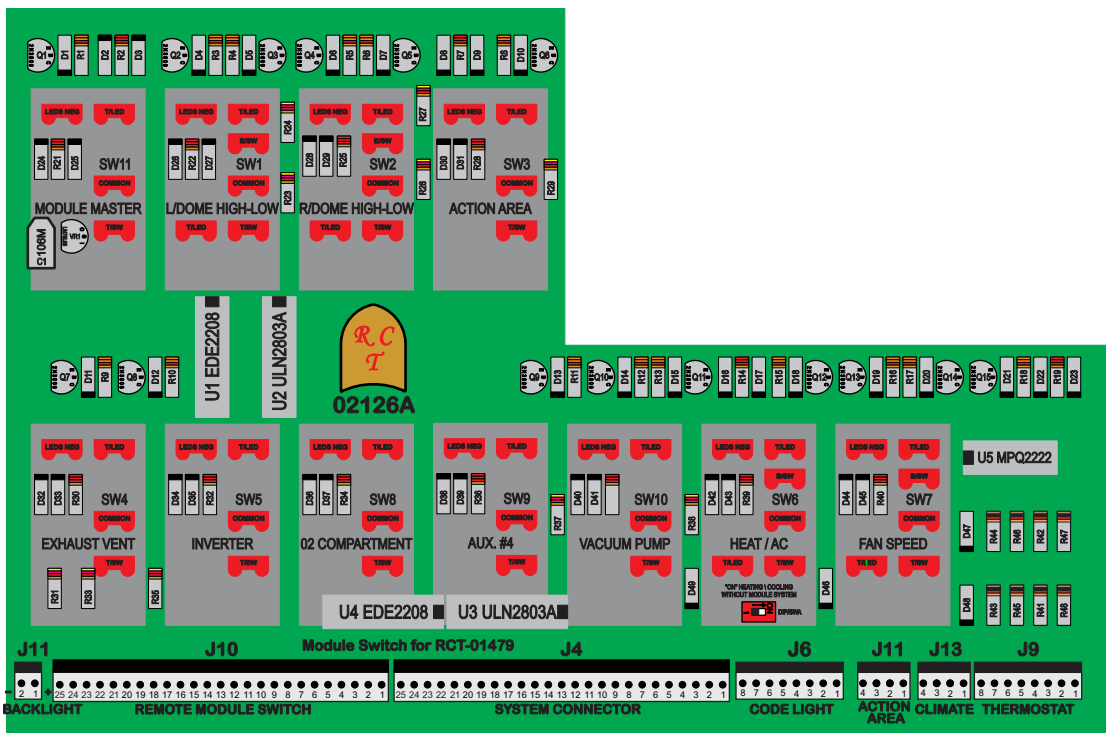
2573 East Kercher Road
Goshen, Indiana 46528
Toll Free 1-866-457-7790

RCT-02710-0__01

Phone 1-574-642-3857
Fax 1-574-642-3858
<http://www.rctronics.com>



FAC-02710-00001
SIZE 9.25 X 6.5 INCHES



R. C. TRONICS, INCORPORATED

2573 EAST KERCHER ROAD
GOSHEN, INDIANA 46526
<https://www.rctronics.com>

PHONE: 1-574-642-3857
FAX: 1-574-642-3858
TOLL FREE: 1-866-457-7790

RCT-02730

STANDARD SYSTEM FEATURES

System Enable with Ignition.

System delays off timer - 1, 5, 10 or 15 minutes. Check-out lights timer - 1, 5, 10 or 15 minutes.

On-board exterior compartment lighting control for up to 6 compartments.

System outputs monitored with green LED's. System inputs monitored with amber LED's.

Dual cooling fans to remove harmful system heat and provide added ventilation.

Low voltage monitors with audible buzzer, indicator light and cancel switch.

Heating and air-conditioning controls and high, medium and low fan speed controls. Thermostat connector for quick interface with split fan heat and air-conditioning systems.

High idle output. Power diode output. Daytime running lights cutoff.

Front panel indicator lights (Master, Open Mod Dr., Open Comp Dr., Chassis Low Volt, and Battery).

Custom front and rear switch panels. Custom printed switch actuators. Custom cable lengths.

Direct replacement for older RCT-01479 system with existing switch panels.

Physical size: 15" x 15" x 2".

OPTIONS:

Additional system enable switches.

Right and rear flood inhibit switches with entry doors open.

Code lights with Buzzer.

Load sequencing and Load management.

Secondary rear switch panel.

Center Dome Switch in rear switch panel.

Digital or analog amp and / or volt meters. Digital clock.

R. C. TRONICS, INCORPORATED

2573 EAST KERCHER ROAD
GOSHEN, INDIANA 46526
<https://www.rctronics.com>

PHONE: 1-574-642-3857
FAX: 1-574-642-3858
TOLL FREE: 1-866-457-7790

RCT-02730 DIP SWITCHES

Dip Switch A (D/SWA):

"ON", Dome Light Select with Doors and Dome Light Timer Delay. Operates (#1 - Right Dome Low, #2 - Right Dome High, #3 - Left Dome Low, #4 - Left Dome High) when right or rear doors are opened. Also enables Dome Light Timer Delay when any switch is "ON". Note: Length of Dome Light Timer Delay is determined by Dip Switch P.

Dip Switch B (D/SWB):

"ON", Dome Light with Aux. #5. Operates Right Dome Low with switch #9 on dash switch panel in addition to Aux. #5.

Dip Switch C (D/SWC):

"ON", Low Voltage Warning Enable. Activates audible alarm and Voltage Low indicator light when low voltage is detected. Alarm and indicator light are inhibited when switch is "OFF". Note: Switch should be "OFF" when load manager is added to dash switch panel.

Dip Switch E (D/SWE):

"ON", Fog Lights with Ignition. Operates the Fog Lights (switch #14) on dash switch panel with ignition.

Dip Switch F (D/SWF):

"ON", Rear Flood in Reverse. Operates Rear Flood (switch #12) on front switch panel when vehicle is put in "Reverse".

Note: Must be "ON" to enable dip switch H, Left Rear and Right Rear Floods in reverse.

Dip Switch G (D/SWG):

"ON", Aux. #1 - #2 - #3 Enables Park / Neutral Override.

Note: Switch #4 in "ON" position enables, "DAY TIME RUNNING LIGHT CUTOFF".

Dip Switch H (D/SWD):

"ON", Left Rear and Right Rear Floods in Reverse.

Note: This function only available when dip switch F is "ON".

Dip Switch I (D/SWI):

"ON", Dome Lights with Battery. Dome lights will operate when right or rear doors are opened. "OFF" position will cause dome lights to operate with system enable. Which dome lights determined by Dip Switch A.

Dip Switch J (D/SWJ):

"ON", Power Diode with Battery. "OFF", power diode operates with system enable.

Dip Switch K (D/SWK):

"ON", Inhibits Aux. #1, #2, #3 with Transmission in Park.

#1 – Aux. 1 (switch #5) on front switch panel.

#2 – Aux. 2 (switch #6) on front switch panel.

#3 – Aux. 3 (switch #7) on front switch panel.

Dip Switch L (D/SWL):

"ON", Fog Light Inhibit with High Beam. Input from CN15, terminal 80 or 81.

Dip Switch M (D/SWM):

"ON", Right Flood with Compartment Door #4 - #5 - #6.

Dip Switch N (D/SWN):

"ON", Left Flood with Compartment Door #1 - #2 - #3.

Dip Switch O (D/SWO):

Switch in "ON" position for System Delay disable. Switch in "OFF" position for System Delay enable. Length of System Delay determined by Dip Switch Q. As a default, if System Delay is disabled, there will still be a delay of thirty (30) seconds.

Note: OEM Ignition will enable control ignition circuits and system enable circuits. Removing OEM ignition will immediately remove control ignition circuits and begin system delay, if Dip Switch is in "OFF" position.

Dip Switch P (D/SWP):

Switch #1, #2 and #3 in "OFF" position will provide fifteen (15) minute interior delay prior to removal of power to dome lights.

Switch #1 or #2 "ON" position will provide ten (10) minute interior delay prior to removal of power to dome lights.

Switch #1 and #2 "ON" position will provide five (5) minute interior delay prior to removal of power to dome lights.

Switch #3 "ON" will remove dome light delay (will have a default thirty (30) second delay).

Dip Switch Q (D/SWQ):

Switch #1 and #2 in "OFF" position will provide fifteen (15) minute system delay.

Switch #1 or #2 in "ON" position will provide ten (10) minute system delay.

Switch #1 and #2 in "ON" position will provide five (5) minute system delay.

Note: This function only available when dip switch O is in the "OFF" position

R. C. TRONICS, INCORPORATED

2573 EAST KERCHER ROAD
GOSHEN, INDIANA 46526
<https://www.rctronics.com>

PHONE: 1-574-642-3857
FAX: 1-574-642-3858
TOLL FREE: 1-866-457-7790

RCT-02730

CN CONNECTOR IDENTIFICATION

CN01-1 POWER DIODE OUTPUT
CN01-2 AIR BAG DUMP OUTPUT
CN01/CN01A-3 HIGH LEFT DOME OUTPUT
CN01/CN01A-4 LOW LEFT DOME OUTPUT
CN01/CN01A-5 HIGH RIGHT DOME OUTPUT
CN01/CN01A-6 LOW RIGHT DOME OUTPUT

CN02/CN02A-86 AUXILIARY #5 OUTPUT
CN02/CN02A-7 ACTION AREA OUTPUT
CN02/CN02A-8 EXHAUST VENT OUTPUT
CN02/CN02A-9 INVERTER OUTPUT

CN03-10 STEP LIGHT – RIGHT OUTPUT
CN03-11 STEP LIGHT – REAR OUTPUT

CN20/CN20A-87 COMPARTMENT #1 LEFT OUTPUT
CN20/CN20A-88 COMPARTMENT #2 LEFT OUTPUT
CN20/CN20A-89 COMPARTMENT #3 LEFT OUTPUT
CN20/CN20A-90 COMPARTMENT #4 RIGHT OUTPUT
CN20/CN20A-91 COMPARTMENT #5 RIGHT OUTPUT
CN20/CN20A-92 COMPARTMENT #6 RIGHT OUTPUT

CN04-12 SYSTEM ENABLE INPUT POSITIVE 12 VDC @ .835 AMPERE
CN04-13 HEAT OUTPUT
CN04-14 COOL OUTPUT
CN04/CN04A-15 FAN LOW OUTPUT
CN04/CN04A-16 FAN MEDIUM OUTPUT
CN04/CN04A-17 FAN HIGH OUTPUT

CN05-18 OXYGEN COMARTMENT OUTPUT
CN05-19 AUXILIARY #4 OUTPUT

CN06-20 POSITIVE STROBE OUTPUT 12VDC @ 5 AMPERE
CN06-21 POSITIVE PRIMARY OUTPUT 12VDC @ 5 AMPERE
CN06-22 POSITIVE SECONDARY OUTPUT 12VDC @ 5 AMPERE
CN06-23 NEGATIVE STROBE SINK
CN06-24 NEGATIVE PRIMARY SINK
CN06-25 NEGATIVE SECONDARY SINK

CN07-58 BATTERY #1 OUTPUT POSITIVE 12VDC @ 20 AMPERE
CN07-59 BATTERY #2 OUTPUT POSITIVE 12VDC @ 20 AMPERE
CN07-60 BATTERY #3 OUTPUT POSITIVE 12VDC @ 20 AMPERE
CN07-61 BATTERY #4 OUTPUT POSITIVE 12VDC @ 20 AMPERE

CN08-54 VACUUM PUMP OUTPUT
CN08-55 HORN / SIREN RING (COMMON)
CN08-56 HORN TRIGGER OUTPUT (NC)
CN08-57 SIREN TRIGGER OUTPUT (NO)

CN09-48 FOG LIGHTS OUTPUT
CN09-49 LEFT FRONT FLOOD OUTPUT
CN09-50 LEFT REAR FLOOD OUTPUT
CN09-51 RIGHT FRONT FLOOD OUTPUT
CN09-52 RIGHT REAR FLOOD OUTPUT
CN09-53 REAR FLOOD OUTPUT

CN10-45 OEM IGNITION INPUT 12VDC @ 1.15 AMPERE
CN10-46 OPEN EXTERNAL COMPARTMENT INPUT
CN10-47 IGNITION POWER OUTPUT

CN11-39 OEM TRANSMISSION PARK SINK INPUT
CN11-40 OEM EMERGENCY BRAKE SINK INPUT
CN11-41 HIGH IDLE OUTPUT 12VDC @ .3 AMPERE
CN11-42 LEFT REAR DOOR SINK INPUT
CN11-43 OEM CLEARANCE INPUT 12VDC @ .135 AMPERE
CN11-44 OEM REVERSE INPUT 12VDC @ .15 AMPERE

CN12-36 SYSTEM POWER OUTPUT
CN12-37 CLEARANCE LIGHTS OUTPUT
CN12-38 BACK-UP LIGHTS OUTPUT

CN13/CN13A-32 LIGHTBAR OUTPUT
CN13/CN13A-33 AUXILIARY #1 OUTPUT
CN13/CN13A-34 AUXILIARY #2 OUTPUT
CN13/CN13A-35 AUXILIARY #3 OUTPUT

CN14-26 DAY TIME RUNNING LIGHT RIGHT INPUT
CN14-27 DAY TIME RUNNING LIGHT RIGHT OUTPUT
CN14-28 DAY TIME RUNNING LIGHT LEFT INPUT
CN14-29 DAY TIME RUNNING LIGHT LEFT OUTPUT
CN14-30 AUXILIARY #6 / HIGH CENTER DOME OUTPUT
CN14-31 AUXILIARY #7 / LOW CENTER DOME OUTPUT

CN15-80 HIGH BEAM INPUT
CN15-81 HIGH BEAM INPUT
CN15-82 HIGH BEAM LEFT
CN15-83 HIGH BEAM LEFT
CN15-84 HIGH BEAM RIGHT
CN15-85 HIGH BEAM RIGHT

CN16-74 BATTERY NEGATIVE
CN16-75 BATTERY NEGATIVE
CN16-76 BATTERY NEGATIVE
CN16-77 BATTERY NEGATIVE
CN16-78 BATTERY NEGATIVE
CN16-79 BATTERY NEGATIVE

CN19-93 BATTERY NEGATIVE
CN19-94 BATTERY NEGATIVE
CN19-95 BATTERY NEGATIVE
CN19-96 BATTERY NEGATIVE
CN19-97 BATTERY NEGATIVE
CN19-98 BATTERY NEGATIVE

CN17-68 BATTERY NEGATIVE
CN17-69 BATTERY NEGATIVE
CN17-70 BATTERY NEGATIVE
CN17-71 BATTERY NEGATIVE
CN17-72 BATTERY NEGATIVE
CN17-73 BATTERY NEGATIVE

CN18-62 HEAT FAN COMMON OUTPUT
CN18-63 A/C FAN COMMON OUTPUT
CN18-64 BATTERY NEGATIVE
CN18-65 BATTERY NEGATIVE
CN18-66 BATTERY NEGATIVE
CN18-67 BATTERY NEGATIVE

R. C. TRONICS, INCORPORATED

2573 EAST KERCHER ROAD
GOSHEN, INDIANA 46526
<https://www.rctronics.com>

PHONE: 1-574-642-3857
FAX: 1-574-642-3858
TOLL FREE: 1-866-457-7790

J1 thru J19 DATA CABLE INTERFACE TO RCT-02730

FRONT SWITCH PANEL / DATA CABLE: DAT-01352-00XXX

- J1-01 OPEN EXTERNAL COMPARTMENT
- J1-02 DOOR OPEN
- J1-03 LIGHT BAR, (1 AMPERE @ 12VDC)
- J1-04 AUX. #1 (MAXIMUM CURRENT 1 AMPERE)
- J1-05 AUX. #2 (MAXIMUM CURRENT 1 AMPERE)
- J1-06 AUX. #3 (MAXIMUM CURRENT 1 AMPERE)
- J1-07 MODULE MASTER ENABLED (SINK)
- J1-08 BACK-UP ALARM INHIBIT (SWITCH TO GROUND)
- J1-09 FOG LIGHT (SWITCH TO GROUND)
- J1-10 LEFT FLOOD (SWITCH TO GROUND)
- J1-11 RIGHT FLOOD (SWITCH TO GROUND)
- J1-12 REAR FLOOD (SWITCH TO GROUND)
- J1-13 SIREN / HORN (SWITCH TO GROUND)
- J1-14 SECONDARY (SWITCH TO GROUND)
- J1-15 PRIMARY (SWITCH TO GROUND)
- J1-16 CLEARANCE LIGHT (12VDC)
- J1-17 AUXILIARY #4 / RIGHT REAR DOME (SWITCH TO GROUND)
- J1-18 LOW VOLTAGE (SIGNAL TO GROUND)
- J1-19 SYSTEM ENABLE (12VDC @ .15 AMPERE)
- J1-20 BATTERY NEGATIVE
- J3-01 MODULE ENABLE (SIGNAL TO GROUND)
- J3-02 BUZZER (SWITCH TO GROUND) J3-03 CODE GREEN (SWITCH TO GROUND)
- J3-04 CODE AMBER (SWITCH TO GROUND)
- J3-05 CODE RED (SWITCH TO GROUND)
- J3-06 HORN / SIREN LED (SIGNAL TO GROUND)
- J3-07 EMERGENCY MASTER TO J7-05
- J3-08 HORN SIREN (RELAY 28) (Q8 EMITTER)
- J3-09 SYSTEM ENABLE (12VDC)
- J3-10 BATTERY NEGATIVE

REAR SWITCH PANEL / DATA CABLE: DAT-01351-00XXX

J2-01 CODE RED (SWITCH TO GROUND)
J2-02 CODE AMBER (SWITCH TO GROUND)
J2-03 CODE GREEN (SWITCH TO GROUND)
J2-04 BUZZER (SWITCH TO GROUND)
J2-05 MODULE ENABLE (SIGNAL TO GROUND)
J2-06 CLEARANCE LIGHT (12VDC)
J2-07 SYSTEM ENABLE (12VDC)
J2-08 VACUUM PUMP (SWITCH TO GROUND)
J2-09 MODULE MASTER ENABLED (SINK)
J2-10 BATTERY NEGATIVE
J2-11 AUX. #4 (SWITCH TO GROUND)
J2-12 O2 COMPARTMENT (SWITCH TO GROUND)
J2-13 FAN HIGH (SWITCH TO GROUND)
J2-14 FAN MEDIUM (SWITCH TO GROUND)
J2-15 A / C (SWITCH TO GROUND)
J2-16 HEAT (SWITCH TO GROUND)
J2-17 INVERTER (SWITCH TO GROUND)
J2-18 CENTER DOME HIGH / AUXILIARY #6
J2-19 CENTER DOME LOW / AUXILIARY #7
J2-20 EXHAUST VENT (SWITCH TO GROUND)
J2-21 ACTION AREA (SWITCH TO GROUND)
J2-22 RIGHT / DOME LOW (SWITCH TO GROUND)
J2-23 RIGHT / DOME HIGH (SWITCH TO GROUND)
J2-24 LEFT / DOME LOW (SWITCH TO GROUND)
J2-25 LEFT / DOME HIGH (SWITCH TO GROUND)

EXTERIOR COMPARTMENT LIGHT CONTROL RCT-00450 / DATA CABLE: DAT-01346-00XXX

J4-01 RIGHT FLOODS
J4-02 SYSTEM ENABLE
J4-03 LEFT FLOODS

FAN CONNECTOR (TOP)

J5-01 SYSTEM ENABLE (12VDC)
J5-02 BATTERY NEGATIVE

FAN CONNECTOR (BOTTOM)

J6-01 SYSTEM ENABLE (12VDC)
J6-02 BATTERY NEGATIVE

AUXILIARY POWER BOARD RCT-02329 / DATA CABLE: DAT-01348-00XXX

J7-01 OPEN
J7-02 OPEN
J7-03 IGNITION (12VDC)
J7-04 CLEARANCE LIGHT (12VDC)
J7-05 EMERGENCY MASTER (SINK)
J7-06 BATTERY NEGATIVE
J7-07 MODULE MASTER (SINK)
J7-08 SYSTEM ENABLE (12VDC)

FLASHER RCT-00772 / DATA CABLE: DAT-01346-00XXX

J8-01 BATTERY NEGATIVE
J8-02 PRIMARY (SINK)
J8-03 SECONDARY (SINK)

EXTERNAL COMPARTMENT #1 / DATA CABLE: DAT-01345-01XXX

J9-01 COMPARTMENT #1 OUTPUT CN20/CN20A-87
J9-02 BATTERY NEGATIVE

EXTERNAL COMPARTMENT #2 / DATA CABLE: DAT-01345-01XXX

J10-01 COMPARTMENT #2 OUTPUT CN20/CN20A-88
J10-02 BATTERY

NEGATIVE EXTERNAL COMPARTMENT #3 / DATA CABLE: DAT-01345-01XXX

J11-01 COMPARTMENT #3 OUTPUT CN20/CN20A-89
J11-02 BATTERY NEGATIVE

EXTERNAL COMPARTMENT #4 / DATA CABLE: DAT-01345-01XXX

J12-01 COMPARTMENT #4 OUTPUT CN20/CN20A-90
J12-02 BATTERY

NEGATIVE EXTERNAL COMPARTMENT #5 / DATA CABLE: DAT-01345-01XXX

J13-01 COMPARTMENT #5 OUTPUT CN20/CN20A-91
J13-02 BATTERY

NEGATIVE EXTERNAL COMPARTMENT #6 / DATA CABLE: DAT-01345-01XXX

J14-01 COMPARTMENT #6 OUTPUT CN20/CN20A-92

J14-02 BATTERY

NEGATIVE SYSTEM ENABLE SWITCH / DATA CABLE: DAT-01347-00XXX

J15-01 TRIGGER ON SYSTEM ENABLE

J15-02 BATTERY POSITIVE

J15-03 SWITCH BACKLIGHTING

J15-04 BATTERY NEGATIVE

REAR FLOOD OVERRIDE SWITCH / DATA CABLE: DAT-01346-00XXX

J16-01 REAR FLOOD INTERLOCK HOLD (12VDC)

J16-02 REAR FLOOD TRIGGER (SINK)

J16-03 BATTERY NEGATIVE

RIGHT FLOOD OVERRIDE SWITCH / DATA CABLE: DAT-01346-00XXX

J17-01 RIGHT / REAR FLOOD INTERLOCK HOLD (12VDC)

J17-02 RIGHT / REAR FLOOD TRIGGER (SINK)

J17-03 BATTERY NEGATIVE

REAR DOOR OPEN SWITCH / DATA CABLE: DAT-01345-01XXX

J18-01 TRIGGER REAR DOOR IS OPEN (SINK)

J18-02 BATTERY NEGATIVE

DOOR OPEN SWITCH / DATA CABLE: DAT-01345-01XXX

J19-01 TRIGGER RIGHT DOOR IS OPEN (SINK)

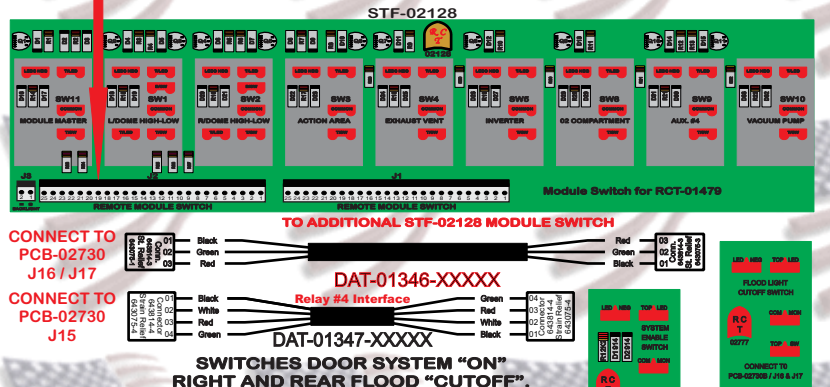
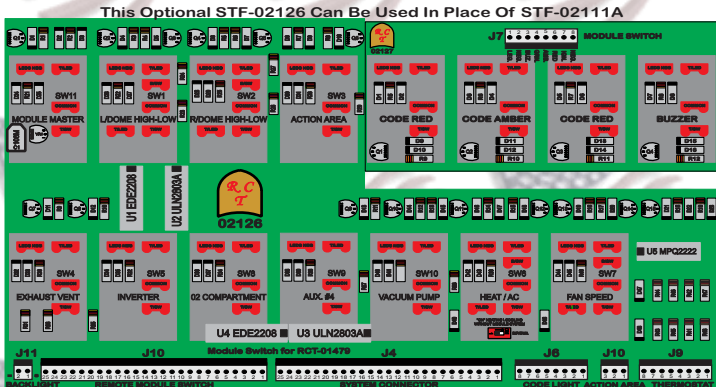
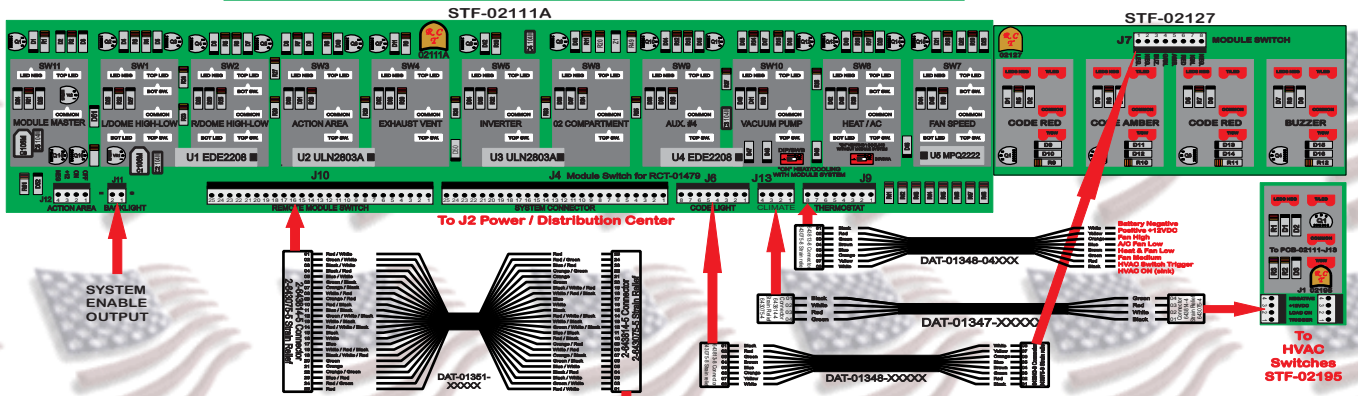
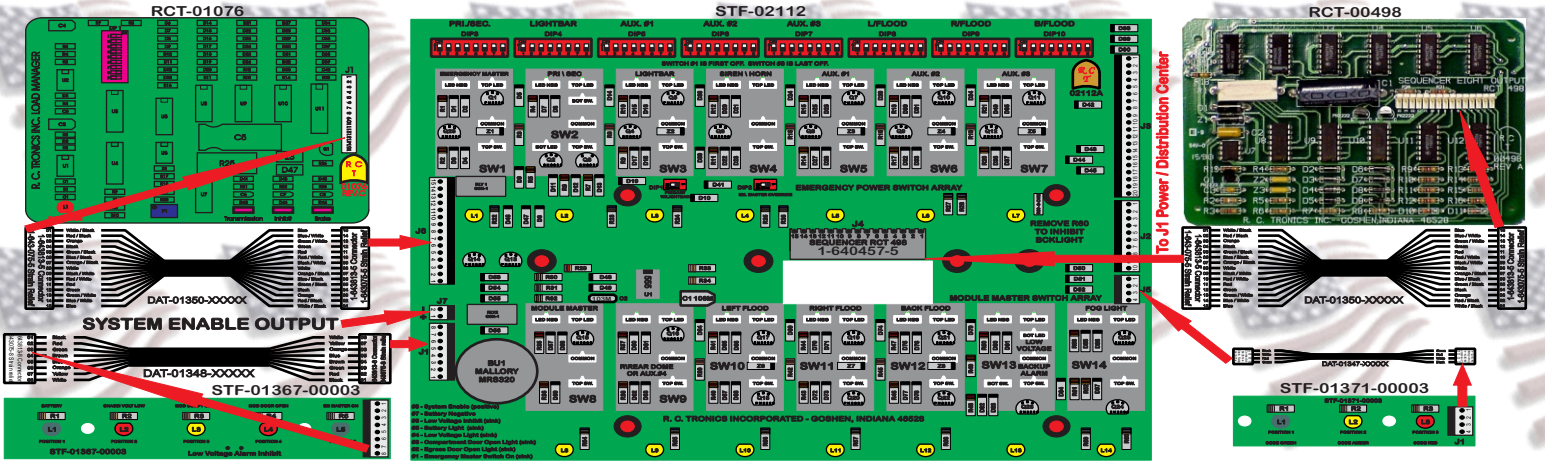
J19-02 BATTERY NEGATIVE

R. C. Tronics Incorporated

2573 East Kercher Road
Goshen, Indiana 46528
Toll Free 1-866-457-7790

Phone 1-574-642-3857
Fax 1-574-642-3858
http://www.rctronics.com

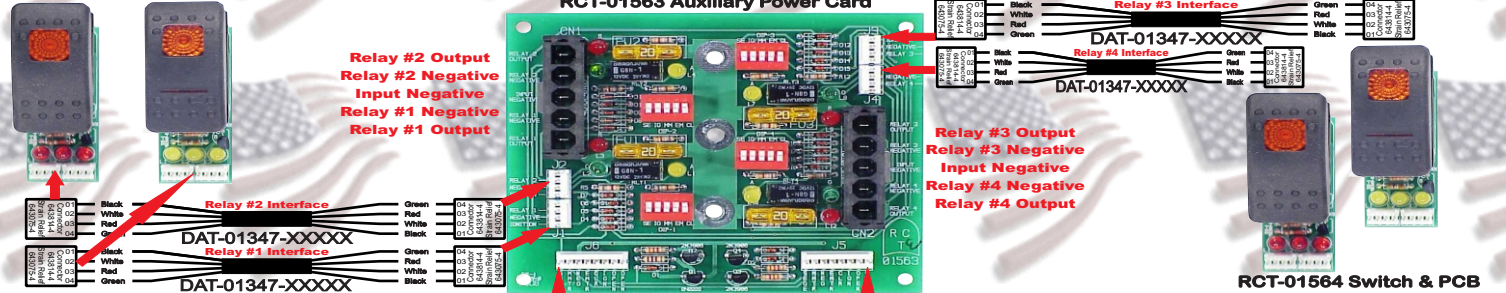
AMBULANCE POWER CENTER RCT-02730 SYSTEMS INTERFACE



Add On Four Zone Power Relay Card
Mounts on Center Bus Bar of the RCT-01497, "AMBULANCE POWER CENTER".
The power relays are enabled with: ON/OFF or ON/OFF/ON, momentary or maintained switches.
Five major groups may be selected for relay operation via dip switch.
They are as follows, "System Enable", "Ignition", "Module Master", "Emergency Master" or "Clearance Lights).

RCT-01564 Switch & PCB

RCT-01563 Auxillary Power Card



- J7-1 Open
- J7-2 Open
- J7-3 Ignition (Source)
- J7-4 Clearance Light (Source)
- J7-5 Emergency Master (Sink)
- J7-6 Negative
- J7-7 Module Master (Sink)
- J7-8 System Enable (Source)

J6 Receives Input from RCT-01479/J7, Ambulance Power Center.

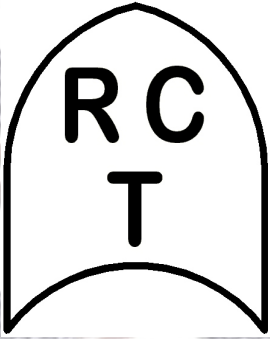
EPC-7 Ambulance Add A Power Relay System

To Add Up To Four Additional Power Relay, RCT-01563.

RCT-01564 Switch & PCB

- J6-1 Open
- J6-2 Open
- J6-3 Ignition (Source)
- J6-4 Clearance Light (Source)
- J6-5 Emergency Master (Sink)
- J6-6 Negative
- J6-7 Module Master (Sink)
- J6-8 System Enable (Source)

R.C. Tronics Inc.



SPECIALIZING IN ELECTRONIC CONTROLS

2573 East Kercher Road

Phone 1-574-642-3857

Toll Free 1-866-457-7790

GOSHEN, IN 46528

Fax 1-574-642-3858

<http://www.rctronics.com>

Custom Design of Electronic Controls

Transit Bus Systems
Ambulance Systems
Tensile Testing Systems

Printed Circuit Board Layout

Computer Generated Artwork
FR-4 PCB Material
Double-Sided Plated-Thru Hole

Complete Manufacturing Facility

New Era Wave Soldering Machine
Universal Laser System
K.F. Hot Stamp Machine

R. C. Tronics can solve your Electrical / Electronic Control needs