

R. C. Tronics, Incorporated

Specializing In Electronic Controls

December 24, 2023

**2573 East Kercher Road
Goshen, Indiana 46526
Toll Free 1-866-457-7790**

**Phone 1-574-642-3857
Fax 1-574-642-3858
<http://www.rctronics.com>**

RCT-01479-P Ambulance System



R. C. TRONICS, INCORPORATED

2573 EAST KERCHER ROAD
GOSHEN, INDIANA 46526
<https://www.rctronics.com>

PHONE: 1-574-642-3857
FAX: 1-574-642-3858
TOLL FREE: 1-866-457-7790

RCT-01479-P STANDARD SYSTEM FEATURES

- System Enable and Ignition Inputs.
- Exterior Compartment Lighting Input for Audible and Visual Display.
- System Outputs Monitored with Green LED's. System Inputs Monitored with Amber Led's.
- Low Voltage Monitors with Audible Buzzer, Indicator Light and Dash Cancel Switch.
- Heating and Air-Conditioning switch selectable with High, Medium, Low fan speed switch. Thermostat Interface Connector. Interfaces with split Heat and Air-Conditioning Systems.
- High Idle Output. Power Diode Output.
- Front Panel Indicators; Master Switch - Open Module Door - Open Compartment Door - Chassis Low Voltage, and Battery.
- Customized Dash and Module switch Centers. Custom Printed Switch Actuators. Custom Cable Lengths.
- RCT-01469 and RCT-01479 Dash and Module Switch panels operate with both systems.
- Physical size: 22 3/8" x 11 3/8" x 2.5" – Weight Three (3) Pounds.

OPTIONS:

- Additional Expandable System Controls.
- Eight zone compartment light control.
- Code Lights with Buzzer.
- Load Sequencing and Load Management.
- Secondary; Right Rear Switch Centers. Duplicates Left Side, traditional Switch Center.
- Digital Clock, Ampere and Voltage Meters.

R. C. Tronics Incorporated

2573 East Kercher Road
Goshen, Indiana 46528
Toll Free 1-866-457-7790

Phone 1-574-642-3857
Fax 1-574-642-3858
<http://www.rctronics.com>

SEPTEMBER 04, 2022

RCT-01 479-P Plug-In-Play, Ambulance Power Center

Battery Negatives

CN18-62 Heat Common (Sink)
CN18-63 A/C Common (Sink)

CN15-80 High Beam In OEM.
CN15-81 High Beam Out Wig-Wag.
CN15-82 Left Beam In OEM.
CN15-83 Left Beam Out Wig-Wag.
CN15-84 Right Beam In OEM
CN15-85 Right Beam Out Wig-Wag.

*Dip Switch J, Timed Dome Lights. "CN" = Cn with Battery, "CFF" = Cn with Ignition Only.
Dip Switch J "CA" provides constant output. "CFF" outputs with "System Enable."
Dip Switch B "CN" operates R/Dome Lights from PCB-00745 switch #9*

CN01-01 Power Diode, Output.
CN01-02 Air Bag Dump, Output.
CN01-03 Left Dome High, Output.
CN01-04 Left Dome Low, Output.
CN01-05 Right Dome High, Output.
CN01-06 Right Dome Low, Output.

CN02-86 Aux # 5 Output.
CN02-07 Action Area, Output.
CN02-08 Exhaust Vent, Output.
CN02-09 Inverter, Output.
CN03-10 Action Area "ON". (Sink)
CN03-11 Action Area "OFF". (Sink)

*Dip Switch A, selects which "Dome Lights", operate when "Right Rear or Right Side Doors" open, timed 2 minute off when doors closes.
Dip Switch D, "CN" inhibits timing action or "Action Area Lights", off.
Dip Switch E, inhibits output of "Low Voltage".*

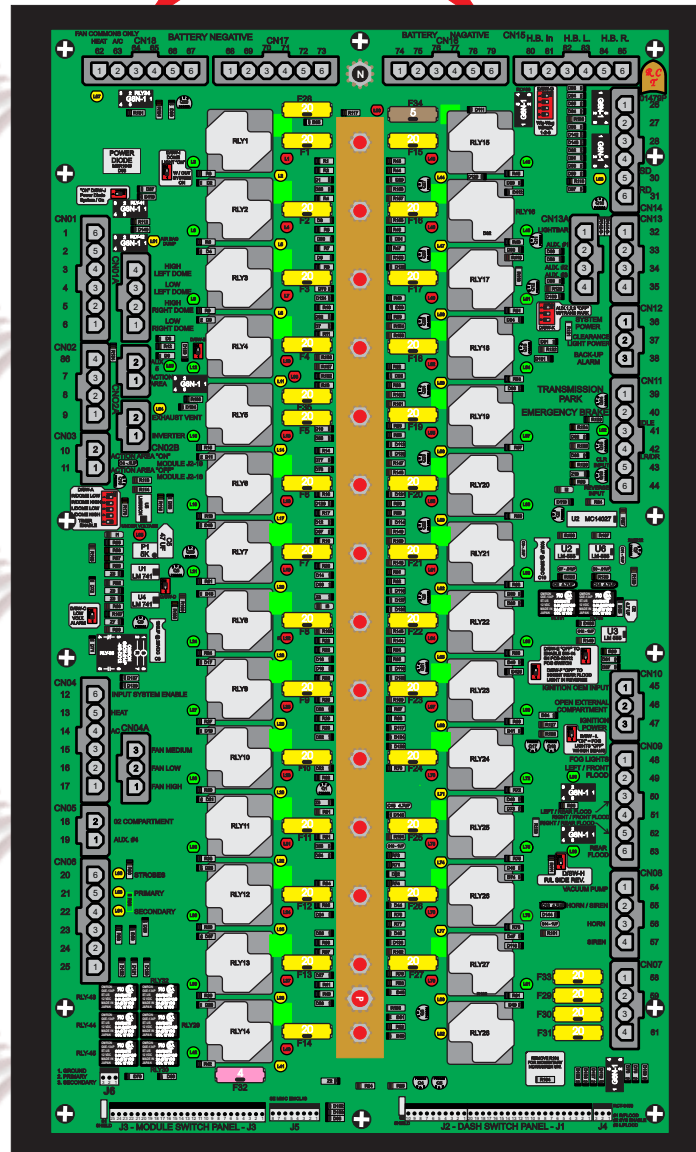
CN03-12 System Enable, Input. (.15 Amp.)
CN03-13 Heat, Output.
CN03-14 A/C, Output.
CN03-15 Fan Medium, Output.
CN03-16 Fan Low, Output.
CN03-17 Fan High, Output.

CN04 Fan Medium, Output.
CN04 Fan Low Output.
CN04 Fan High Output.

CN05-18 02 Compartment, Output.
CN05-19 Aux. 4, Output.

CN06-20 Strobes, 12VDC, 1 Ampere, Output.
CN06-21 Primary, 12VDC, 1 Ampere, Output.
CN06-22 Secondary, 12VDC 1 Ampere, Output.
CN06-23 Strobes, Negative Output.
CN06-24 Primary, Negative Output.
CN06-25 Secondary, Negative Output.

J3-1 Ground
J3-2 Primary "CN" (sink)
J3-3 Secondary "CN" (sink)



J2 - MODULE SWITCH PANEL - J2 J2 - DASH SWITCH PANEL - J1
J3-RCT-772 J2-Module Switch Panel J7- Additional Power Relay Interface J1-Dash Switch Panel J4-RCT-450

*Dip Switch G, Operates Relay 37, terminals 50, 51 & 52
Switch 1, Aux. #1 - Switch 2, Aux. #2 - Switch 3, Aux. #3
Amber Led (E38) shows operation of relays 36 & 37.
(Normally used for Disconnect of Running Lights.)*

CN14-26 Wig-Wag, Right In Low Beam.
CN14-27 Wig-Wag, Right Out Low Beam.
CN14-28 Wig-Wag, Left In Low Beam.
CN14-29 Wig-Wag, Left Out Low Beam.
CN14-30 Right Door Open, Input. (Sink)
CN14-31 Rear Door Open, Input. (Sink)

CN13-32 Light Bar, Output.
CN13-33 Aux. 1, Output.
CN13-34 Aux. 2, Output.
CN13-35 Aux. 3, Output.

Dip Switch K "CN" removes output on Aux. 1, 2 & 3, when "Transmission In Park" (Wig-Wag)

CN12-36 System Power, Output.
CN12-37 Clearance Light, Output.
CN12-38 Back-Up Alarm, Output.

CN11-39 Transmission In Park, Input, Sink.
CN11-40 Emergency Brake, Input, Sink.
CN11-41 High Idle Output, 300 ma, Sink.
CN12-42 Left Rear Door, Input.
CN11-43 Clearance Light, Input. (.15 Ampere)
CN11-44 Reverse, Input. (.15 Ampere)

*Dip Switch F "CN", inhibits "Rear Hood Lights "CN", in Reverse.
Dip Switch E "CFF" to enable Switch 14 on PCB-00745.*

CN10-45 Ignition, Input. (.15 Ampere)
CN10-46 External Compartment Door. (Sink)
CN10-47 Ignition Power, Output.

*Dip Switch L, "CN", removes Fog Light output when "High Beam Light, Term. 80-81" is on.
Dip Switch E, operates left | right side floods with "Rear Steads"*

CN09-48 Fog Lights, Output.
CN09-49 Left Front Flood, Output.
CN09-50 Left Rear Flood, Output.
CN09-51 Right Rear Flood, Output.
CN09-52 Right Front Flood, Output.
CN09-53 Rear Floods, Output.

CN08-54 Vacuum Pump, Output.
CN08-55 Horn/Siren, Common.
CN08-56 Horn, Normally Closed.
CN08-57 Siren, Normally Open.

CN07-58 +12 VDC, F33 Output.
CN07-59 +12 VDC, F29 Output.
CN07-60 +12 VDC, F30 Output.
CN07-61 +12 VDC, F31 Output.

All Inputs and Outputs are Monitored with LEDs, makes Trouble-Shooting a visual event.

All Fuses Monitored for "Open" by a Red LED.

Twenty-Eight, Circuit Breaker Protected Power Relays Provide +12 VDC @ 20 Ampere For All Loads.

22 3/8 inches x 11 3/8 inches X 2.5 inches deep.

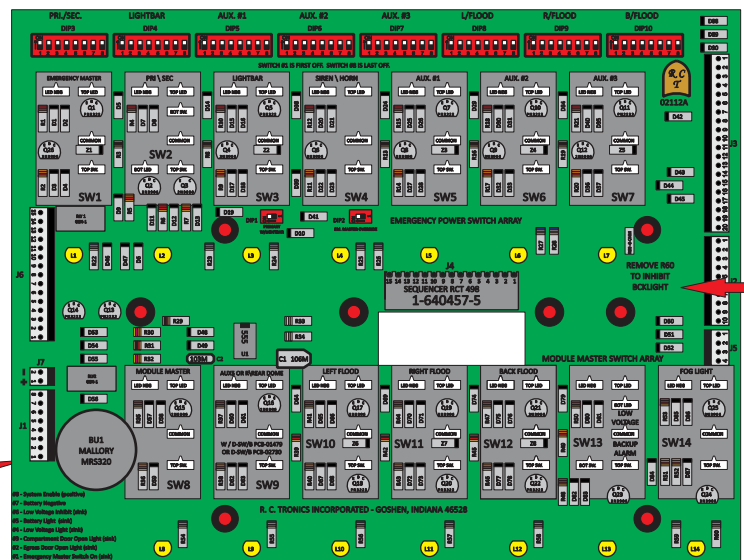
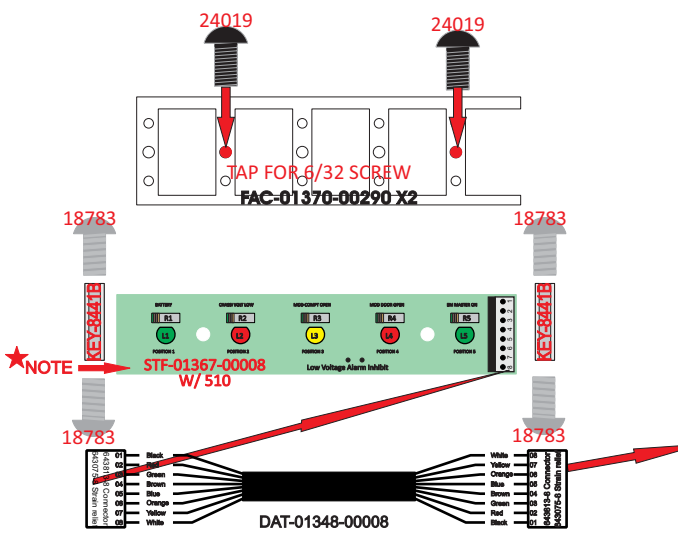
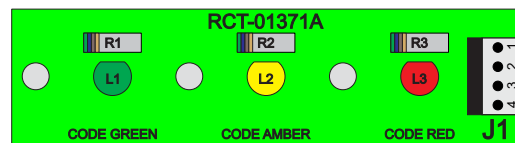
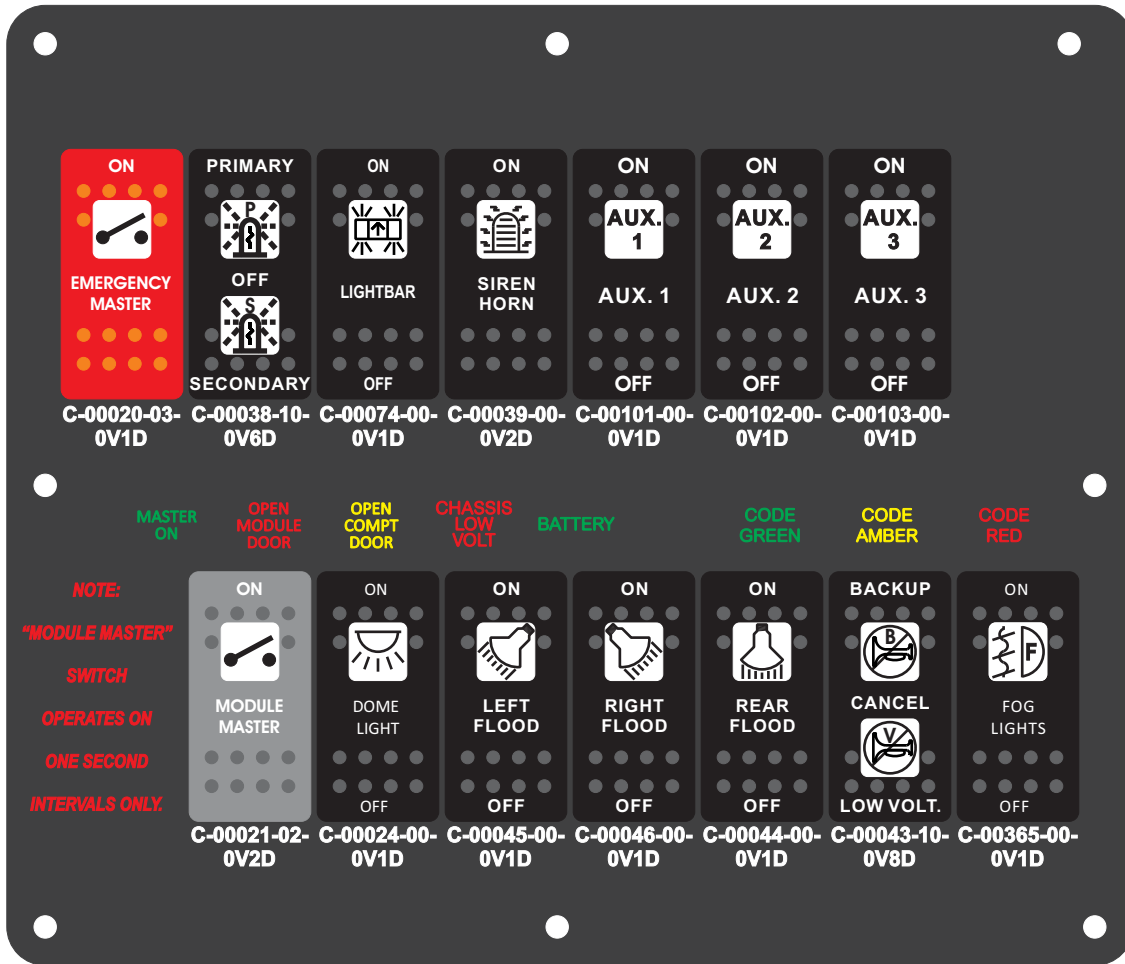
R. C. Tronics Incorporated

2573 East Kercher Road
Goshen, Indiana 46528
Toll Free 1-866-457-7790

Phone 1-574-642-3857
Fax 1-574-642-3858
<http://www.rctronics.com>

RCT-02470-0__00

FAC-02470-0000 - OSize 8.8 x 7.5inches



NOTE
STF-02112-00001
SUPER BRIGHT
RED LED


R. C. Tronics Incorporated
















2573 East Kercher Road
Goshen, Indiana 46528
Toll Free 1-866-457-7790

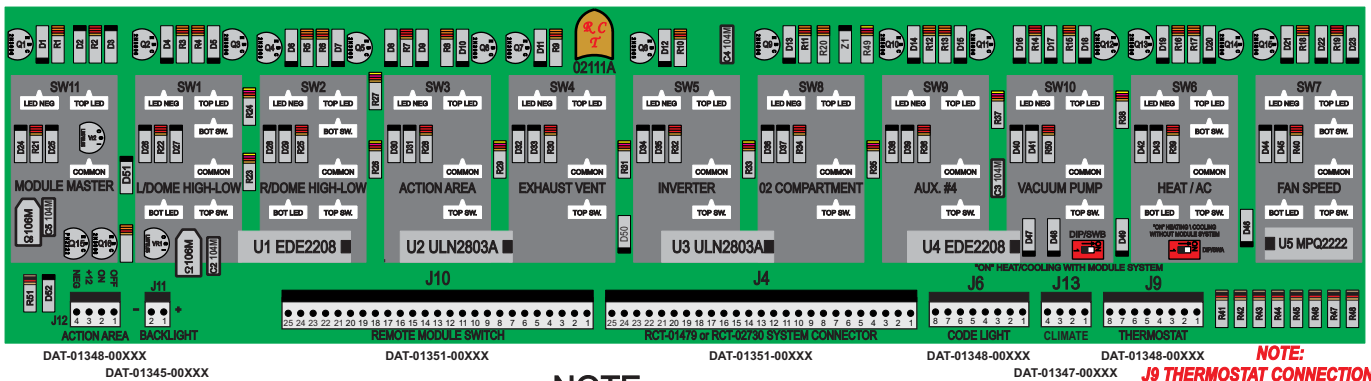
Phone 1-574-642-3857
Fax 1-574-642-3858
<http://www.rctronics.com>

PCB-02111 MODULE SWITCH CENTER LEFT-RIGHT DOME SWITCH USE WITH RCT-01479-R OR RCT-02730-H

NOTE:
"MODULE MASTER" SWITCH OPERATES ON ONE SECOND INTERVALS ONLY.


FOR PCB-02111

ON  MODULE MASTER	HIGH  LEFT DOME LOW  LOW	HIGH  RIGHT DOME LOW  LOW	ON  ACTION AREA	ON  EXHAUST FAN	ON  INVERTER	ON  OXYGEN COMPART.	ON  AUX 4	ON  VACUUM	COOLING  CLIMATE HEATING  HEATING	FAN HIGH  FAN LOW  FAN MED.
C-00021-02-0V2D	C-00022-10-0V8D	C-00023-10-0V8D	C-00353-00-0V2D	C-00354-00-0V2D	C-00355-00-0V2D	C-00356-00-0V2D	C-00398-00-0V2D	C-00396-04-0V2D	C-00028-10-0V6D	C-00029-10-0V6D



NOTE:


DIP/SWA & DIP/SWB "OFF" - HVAC FUNCTION WITH CLIMATE SWITCH (J13) & IGNITION.
DIP/SWA "ON" & DIP/SWB "OFF" - HVAC FUNCTION WITH IGNITION.
DIP/SWA "OFF" DIP/SWB "ON" - HVAC FUNCTION WITH MODULE MASTER & IGNITION.

R. C. Tronics Incorporated















2573 East Kercher Road
Goshen, Indiana 46528
Toll Free 1-866-457-7790

Phone 1-574-642-3857
Fax 1-574-642-3858
<http://www.rctronics.com>

PCB-03287 MODULE SWITCH CENTER MAINTAINED
LEFT-RIGHT DOME SWITCH USE WITH RCT-01479-R OR RCT-02730-H



FOR PCB-03287

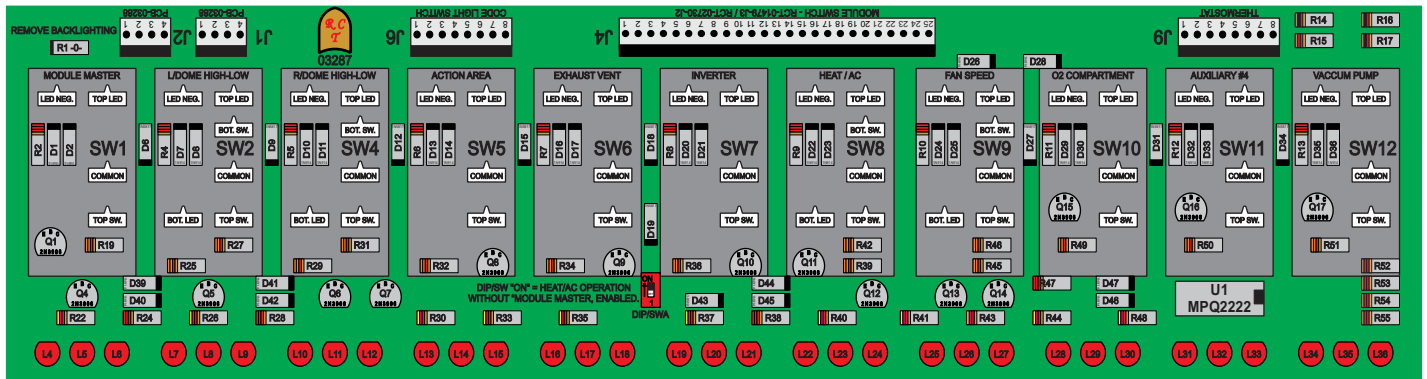
 ON MODULE MASTER C-00821-02-0V2D	 HIGH LEFT DOME C-00022-10-0V8D  LOW	 HIGH RIGHT DOME C-00023-10-0V8D  LOW	 ON ACTION AREA C-00858-60-0V2D	 ON EXHAUST FAN C-00859-60-0V2D	 ON INVERTER C-00856-60-0V2D	 COOLING CLIMATE C-00028-10-0V6D  HEATING	 FAN HIGH FAN LOW C-00025-10-0V6D FAN MED.	 ON OXYGEN COMPART. C-00858-60-0V2D	 ON AUX 4 C-00898-60-0V2D	 ON VACUUM C-00896-04-0V2D
---	---	--	---	---	--	--	---	---	---	--

REMOVE BACK LIGHT
J2 / PCB-03288 / J1

J6 CODE LIGHT SWITCH

J4 MODULE SWITCH - RCT-01479-J3 / RCT-02730-J2

J9 THERMOSTAT



R. C. Tronics Incorporated

2573 East Kercher Road
Goshen, Indiana 46528
Toll Free 1-866-457-7790

Phone 1-574-642-3857
Fax 1-574-642-3858
<http://www.rctronics.com>

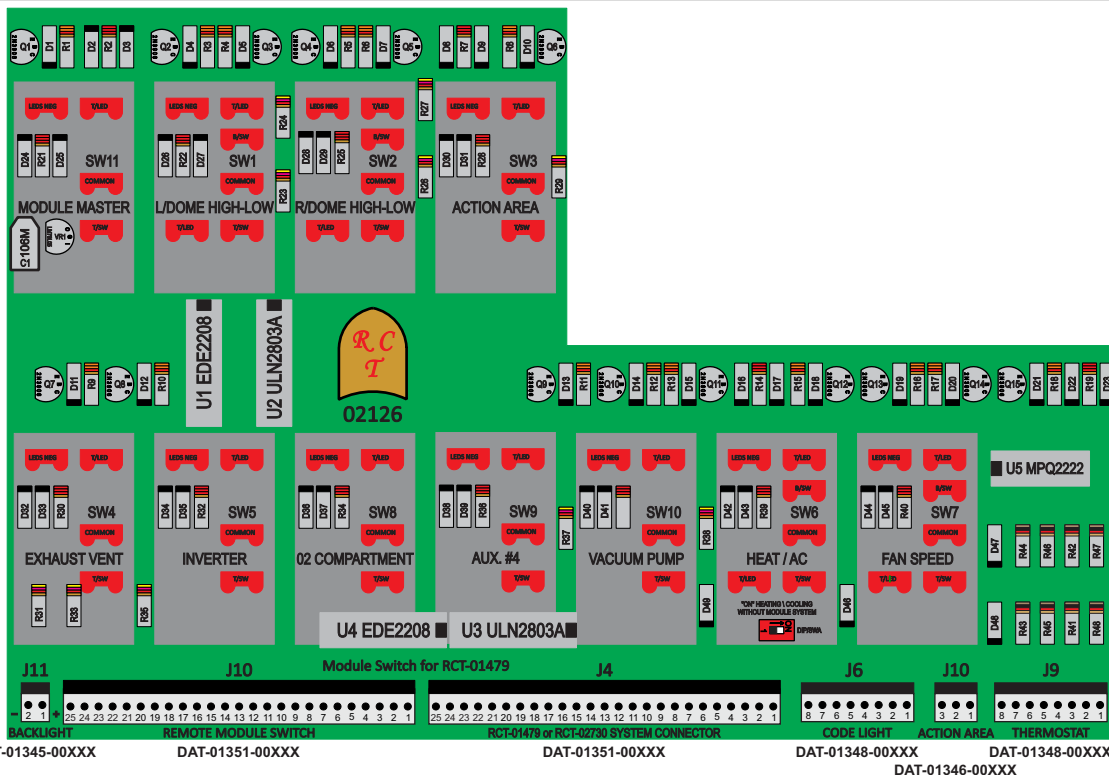
PCB-02126 MODULE SWITCH CENTER LEFT-RIGHT DOME SWITCH USE WITH RCT-01479-R OR RCT-02730-H

NOTE:
"MODULE MASTER", SWITCH
OPERATES ON ONE SECOND
INTERVALS ONLY.

<p>ON</p> <p>MODULE MASTER</p> <p>C-00021-02-0V2D</p>	<p>HIGH</p> <p>LEFT DOME</p> <p>LOW</p> <p>C-00022-10-0V8D</p>	<p>HIGH</p> <p>RIGHT DOME</p> <p>LOW</p> <p>C-00023-10-0V8D</p>	<p>ON</p> <p>ACTION AREA</p> <p>C-00353-00-0V2D</p>	<p>ON</p> <p>EXHAUST FAN</p> <p>C-00354-00-0V2D</p>	<p>ON</p> <p>INVERTER</p> <p>C-00355-00-0V2D</p>	<p>ON</p> <p>OXYGEN COMPART.</p> <p>C-00356-00-0V2D</p>	<p>ON</p> <p>AUX 4</p> <p>C-00398-00-0V2D</p>	<p>ON</p> <p>VACUUM</p> <p>C-00396-04-0V2D</p>	<p>COOLING</p> <p>CLIMATE</p> <p>HEATING</p> <p>C-00028-10-0V6D</p>	<p>FAN HIGH</p> <p>FAN LOW</p> <p>FAN MED.</p> <p>C-00029-10-0V6D</p>
---	--	---	---	---	--	---	---	--	---	---



FOR PCB-02126



NOTE:
J9
THERMOSTAT
CONNECTION
ONLY

R. C. Tronics Incorporated

2573 East Kercher Road
Goshen, Indiana 46528
Toll Free 1-866-457-7790

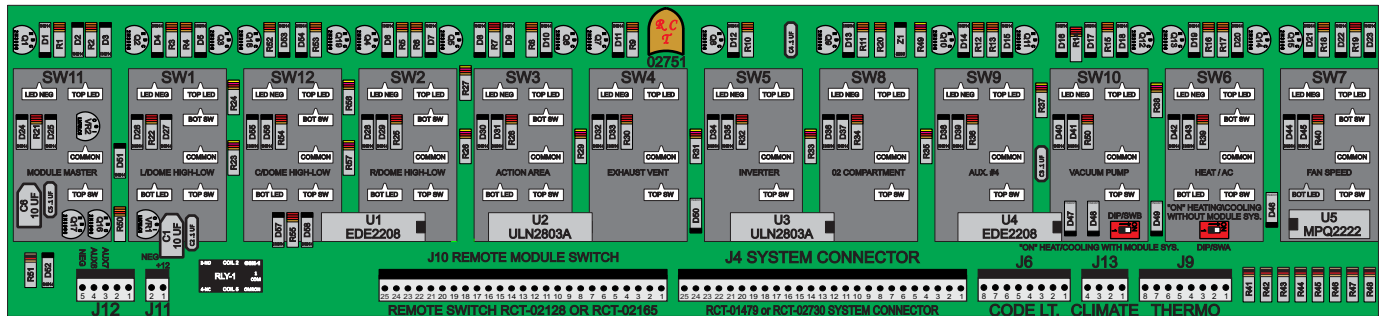
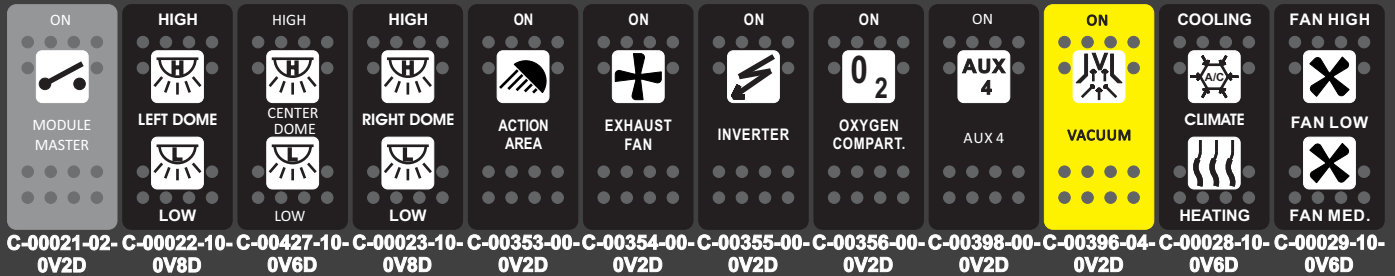
Phone 1-574-642-3857
Fax 1-574-642-3858
<http://www.rctronics.com>

PCB-02751 MODULE SWITCH CENTER LEFT-CENTER-RIGHT DOME SWITCH USE WITH RCT-01479-R OR RCT-02730-H

NOTE:
"MODULE MASTER" SWITCH
OPERATES ON ONE SECOND
INTERVALS ONLY.



FOR PCB-02751



NOTE:

- DIP/SWA & DIP/SWB "OFF" - HVAC FUNCTION WITH CLIMATE SWITCH (J13) & IGNITION.
- DIP/SWA "ON" & DIP/SWB "OFF" - HVAC FUNCTION WITH IGNITION.
- DIP/SWA "OFF" DIP/SWB "ON" - HVAC FUNCTION WITH MODULE MASTER & IGNITION.

NOTE:
J9 THERMOSTAT CONNECTION ONLY

R. C. Tronics Incorporated

2573 East Kercher Road
Goshen, Indiana 46528
Toll Free 1-866-457-7790

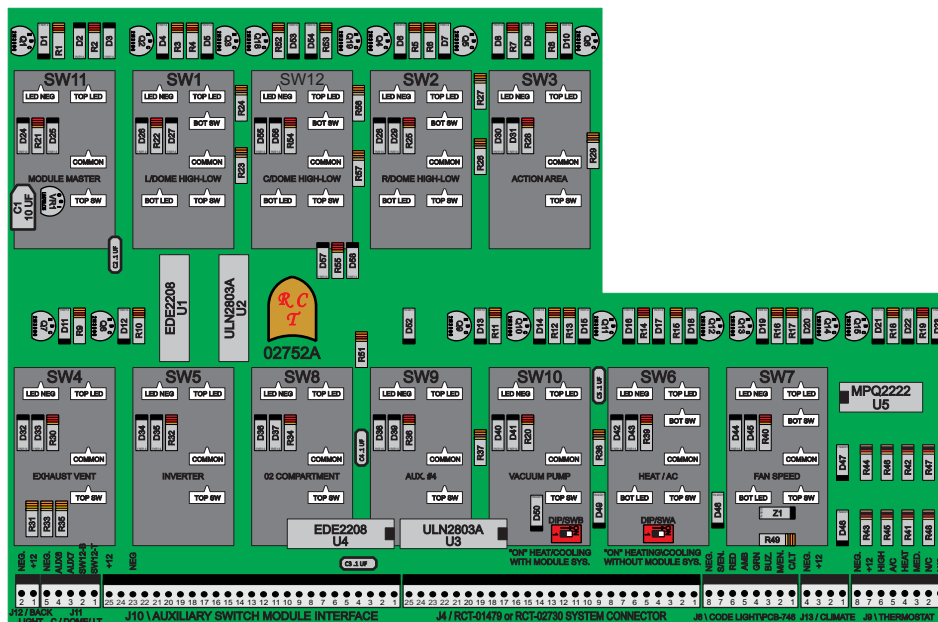
Phone 1-574-642-3857
Fax 1-574-642-3858
<http://www.rctronics.com>

PCB-02752 MODULE SWITCH CENTER LEFT-CENTER-RIGHT DOME SWITCH USE WITH RCT-01479-R OR RCT-02730-H

NOTE:
"MODULE MASTER", SWITCH OPERATES ON ONE SECOND INTERVALS ONLY.

<p>ON</p> <p>MODULE MASTER</p> <p>C-00021-02-0V2D</p>	<p>HIGH</p> <p>LEFT DOME</p> <p>LOW</p> <p>C-00022-10-0V8D</p>	<p>HIGH</p> <p>CENTER DOME</p> <p>LOW</p> <p>C-00427-10-0V6D</p>	<p>HIGH</p> <p>RIGHT DOME</p> <p>LOW</p> <p>C-00023-10-0V8D</p>	<p>ON</p> <p>ACTION AREA</p> <p>C-00353-00-0V2D</p>		
<p>ON</p> <p>EXHAUST FAN</p> <p>C-00354-00-0V2D</p>	<p>ON</p> <p>INVERTER</p> <p>C-00355-00-0V2D</p>	<p>ON</p> <p>OXYGEN COMPART.</p> <p>C-00356-00-0V2D</p>	<p>ON</p> <p>AUX 4</p> <p>C-00398-00-0V2D</p>	<p>ON</p> <p>VACUUM</p> <p>C-00396-04-0V2D</p>	<p>COOLING</p> <p>CLIMATE</p> <p>HEATING</p> <p>C-00028-10-0V6D</p>	<p>FAN HIGH</p> <p>FAN LOW</p> <p>FAN MED.</p> <p>C-00029-10-0V6D</p>

FOR PCB-02752



DAT-01351-00XXX
DAT-01757-00XXX

DAT-01351-00XXX

NOTE:

DAT-01351-00XXX

DAT-01348-00XXX

DAT-01348-00XXX
DAT-01347-00XXX

NOTE:
J9 THERMOSTAT CONNECTION ONLY

DIP/SWA & DIP/SWB "OFF" - HVAC FUNCTION WITH CLIMATE SWITCH (J13) & IGNITION.
DIP/SWA "ON" & DIP/SWB "OFF" - HVAC FUNCTION WITH IGNITION.
DIP/SWA "OFF" DIP/SWB "ON" - HVAC FUNCTION WITH MODULE MASTER & IGNITION.


R. C. Tronics Incorporated










2573 East Kercher Road
Goshen, Indiana 46528
Toll Free 1-866-457-7790


Phone 1-574-642-3857
Fax 1-574-642-3858
<http://www.rctronics.com>

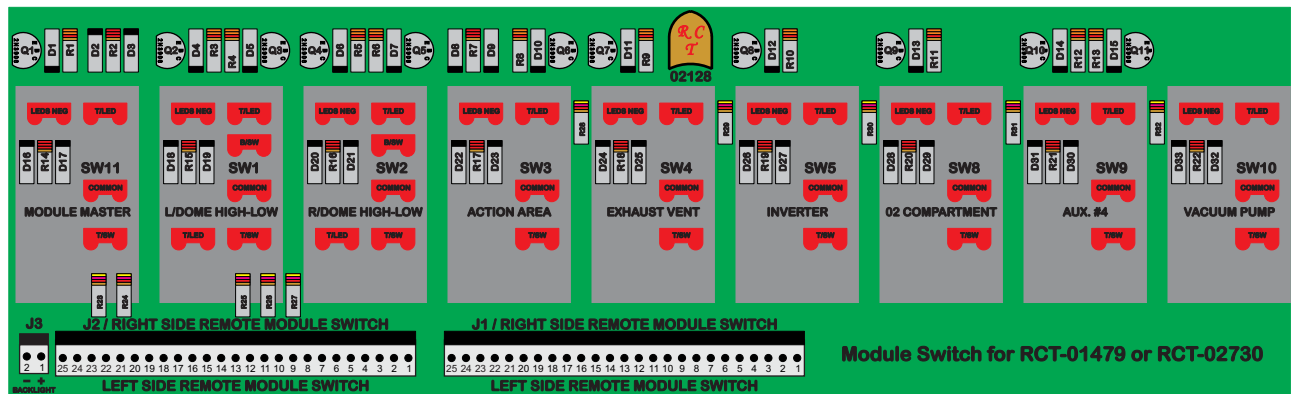
PCB-02128 MODULE SWITCH CENTER-RIGHT SIDE
LEFT-RIGHT DOME SWITCH USE WITH RCT-01479 -ROR RCT-02730-H

NOTE:
"MODULE MASTER"
SWITCH OPERATES ON
ONE SECOND INTERVALS ONLY.


FOR PCB-02128

 ON MODULE MASTER	 HIGH LEFT DOME LOW	 HIGH RIGHT DOME LOW	 ON ACTION AREA	 ON EXHAUST FAN	 ON INVERTER	 ON 0 2 OXYGEN COMPART.	 ON AUX 4 AUX 4	 ON VACUUM
C-00021-02-0V2D	C-00022-10-0V8D	C-00023-10-0V8D	C-00353-00-0V2D	C-00354-00-0V2D	C-00355-00-0V2D	C-00356-00-0V2D	C-00398-00-0V2D	C-00396-04-0V2D


02128



Module Switch for RCT-01479 or RCT-02730

DAT-01345-O0XXX

DAT-01351-O0XXX

DAT-01351-O0XXX









R. C. Tronics Incorporated


2573 East Kercher Road
 Goshen, Indiana 46528
 Toll Free 1-866-457-7790

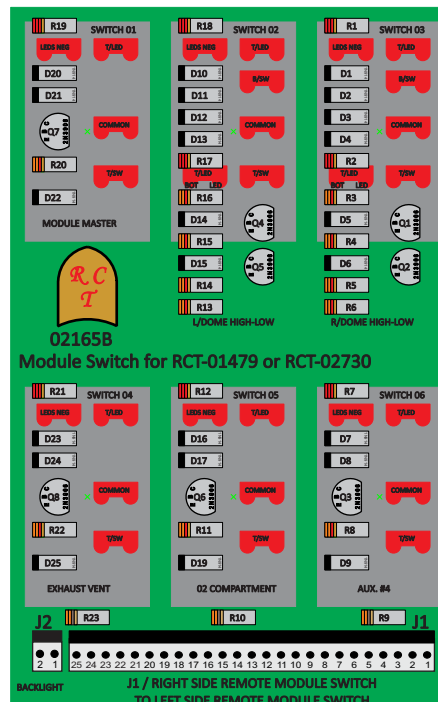
Phone 1-574-642-3857
 Fax 1-574-642-3858
<http://www.rctronics.com>

PCB-02165 MODULE SWITCH CENTER-RIGHT SIDE
 LEFT-RIGHT DOME SWITCH USE WITH RCT-01479 O-RR RCT-02730-H

NOTE:
 "MODULE MASTER"
 SWITCH OPERATES ON
 ONE SECOND INTERVALS ONLY.

<p>ON</p>  <p>MODULE MASTER</p> <p>C-00021-02-0V2D</p>	<p>HIGH</p>  <p>LEFT DOME</p>  <p>LOW</p> <p>C-00022-10-0V8D</p>	<p>HIGH</p>  <p>RIGHT DOME</p>  <p>LOW</p> <p>C-00023-10-0V8D</p>
<p>ON</p>  <p>EXHAUST FAN</p> <p>C-00354-00-0V2D</p>	<p>ON</p>  <p>OXYGEN COMPART.</p> <p>C-00356-00-0V2D</p>	<p>ON</p>  <p>AUX 4</p> <p>C-00398-00-0V2D</p>


 FOR PCB-02165



DAT-01345-00XXX

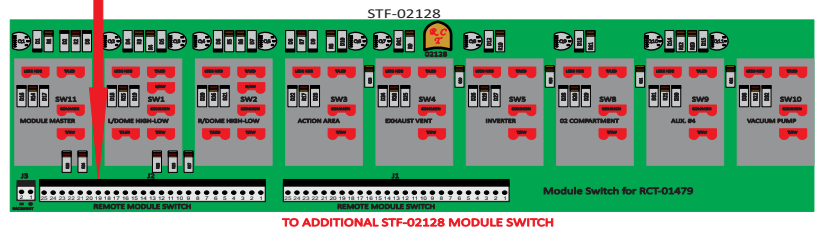
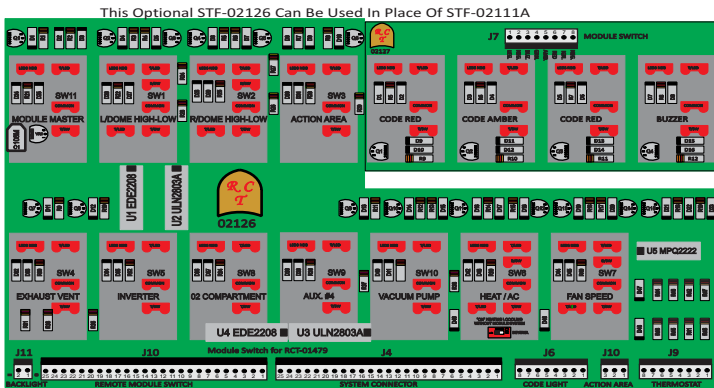
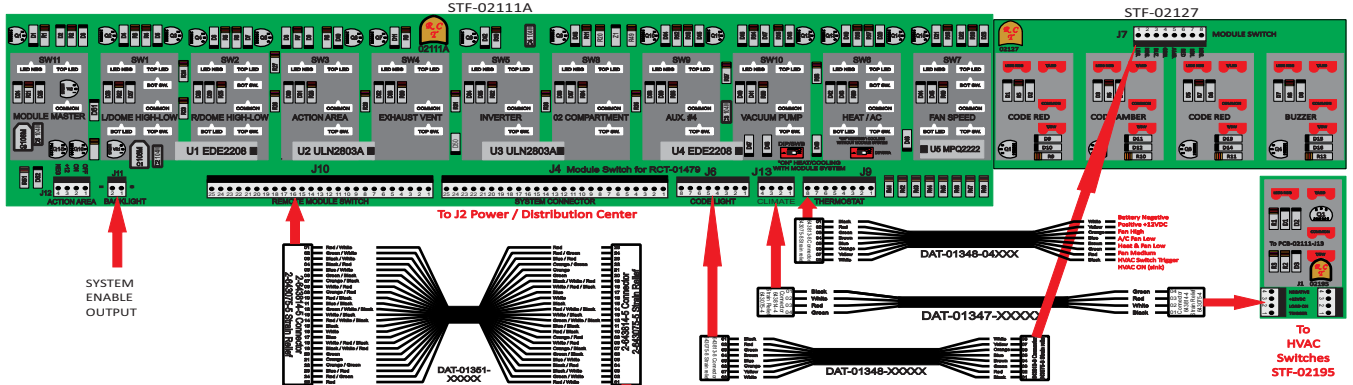
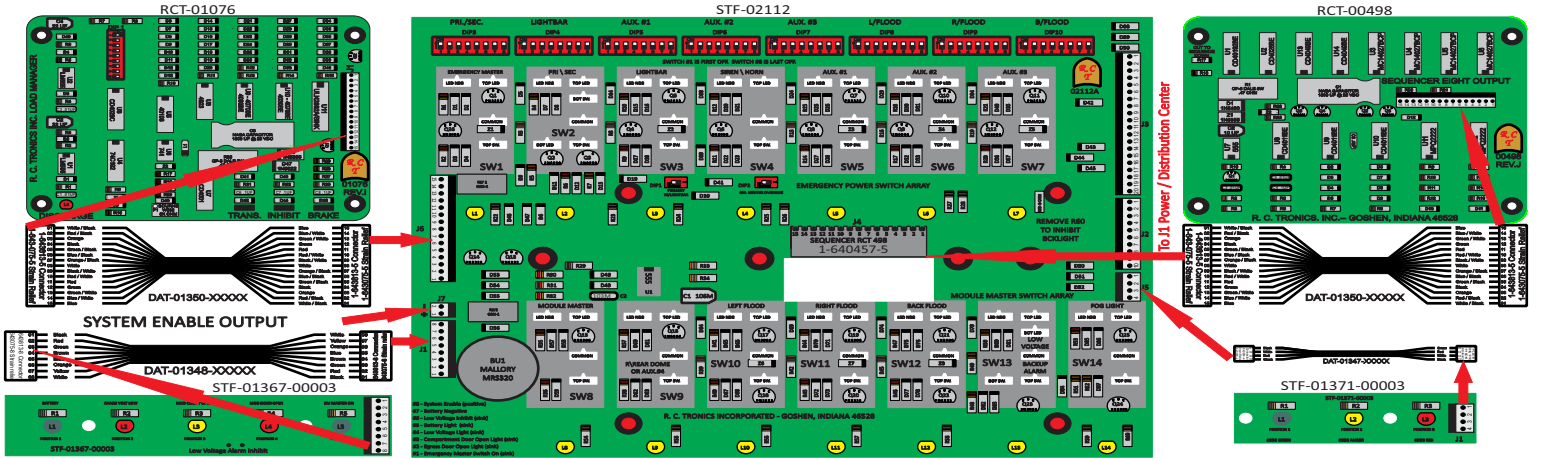
DAT-01351-00XXX

R. C. Tronics Incorporated

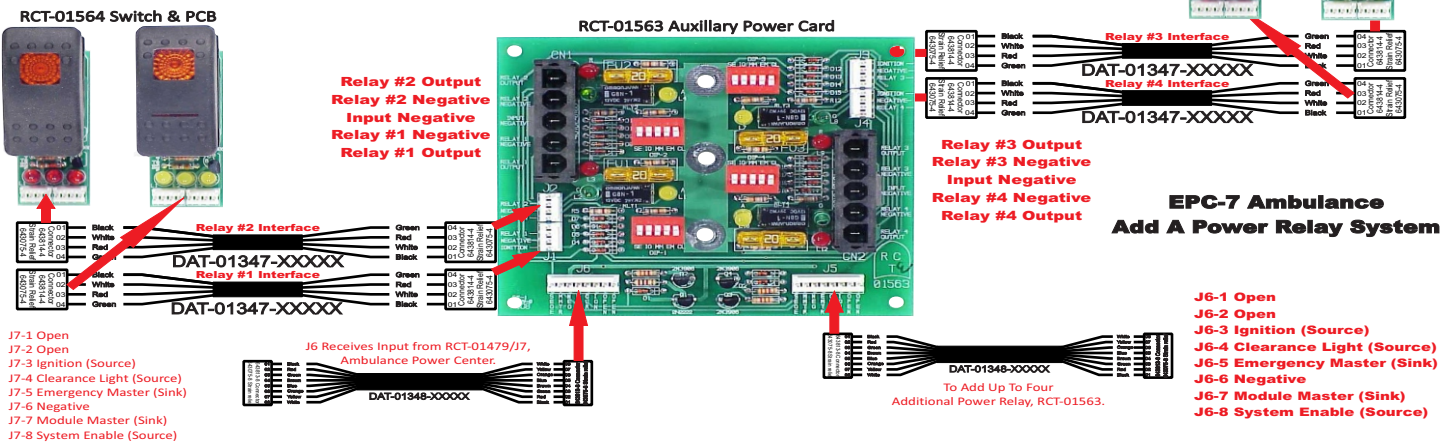
2573 East Kercher Road
Goshen, Indiana 46528
Toll Free 1-866-457-7790

Phone 1-574-642-3857
Fax 1-574-642-3858
http://www.rctronics.com

AMBULANCE POWER CENTER RCT-01479 SWITCH INTERFACE



Add On Four Zone Power Relay Card
Mounts on Center Bus Bar of the RCT-01497, "AMBULANCE POWER CENTER".
The power relays are enabled with; ON/OFF or ON/OFF/ON, momentary or maintained switches.
Five major groups may be selected for relay operation via dip switch.
They are as follows, "System Enable", "Ignition", "Module Master", "Emergency Master" or "Clearance Lights".

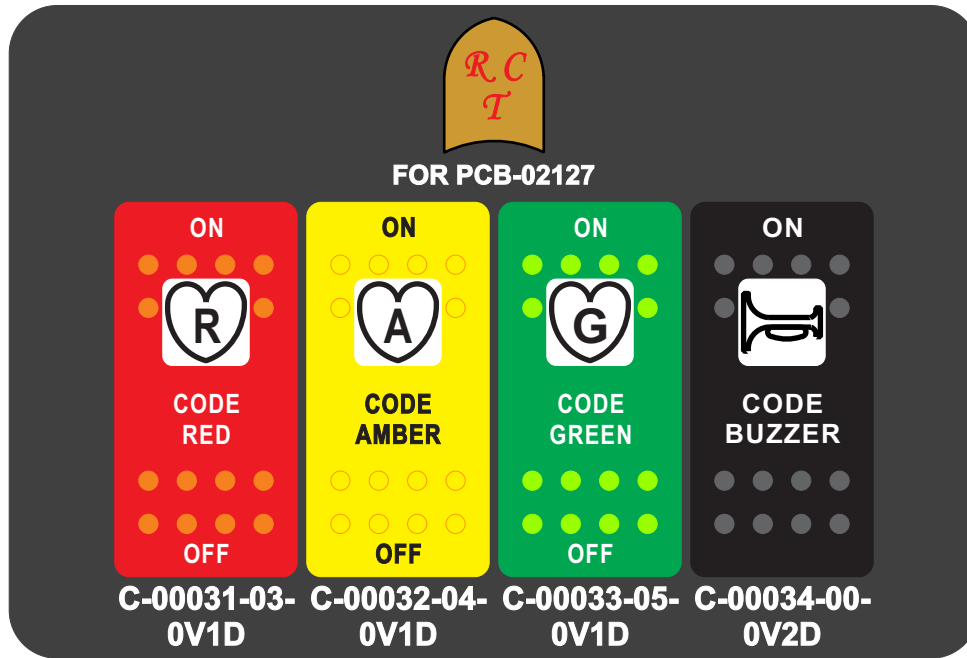


R. C. Tronics Incorporated

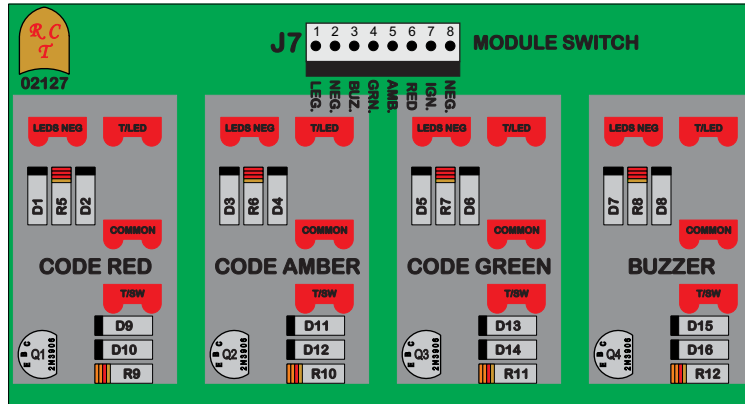
2573 East Kercher Road
Goshen, Indiana 46528
Toll Free 1-866-457-7790

Phone 1-574-642-3857
Fax 1-574-642-3858
<http://www.rctronics.com>

PCB-02127 CODE LIGHT SWITCH CENTER USE WITH RCT-01479-R OR RCT-02730-H



CONNECT TO LEFT MODULE SWITCH (J6) WITH CABLE; DAT-01348-00XXX



CONNECTION: PCB-00746-B and PCB-02127 TO DATE CABLE OF PCB-01479 and PCB-02730.

- J7-01 BACK LIGHT TO PCB-02111 J4-06 CLEARANCE LIGHT (POSITIVE).
- J7-02 SWITCH COMMON to PCB-02111 J4-10 (NEGATIVE).
- J7-03 SWITCH BUZZER to PCB-02111 J4-04 (SINK).
- J7-04 SWITCH GREEN to PCB-02111 J4-03 (SINK).
- J7-05 SWITCH AMBER to PCB-02111 J4-02 (SINK).
- J7-06 SWITCH RED to PCB-02111 J4-01 (SINK).
- J7-07 SYSTEM ENABLE to J4-07 (POSITIVE).
- J7-08 SWITCH LED to J4-08 (NEGATIVE)

R. C. Tronics Incorporated

2573 East Kercher Road
Goshen, Indiana 46528
<https://www.rctronics.com>

Phone 1-574-642-3857
Fax 1-574-642-3858
Toll Free: 1-866-457-7790

RCT-01479-P AMBULANCE POWER CENTER CN CONECTOR

CN01-01 Power Diode, Output. +12VDC
CN01-02 Air Bag Dump, Output. +12VDC
CN01-03 Left Dome High, Output. +12VDC
CN01-04 Left Dome Low, Output. +12VDC
CN01-05 Right Dome High, Output. +12VDC
CN01-06 Right Dome Low, Output. +12VDC

CN02-86 Aux # 5 Output. +12VDC
CN02-07 Action Area, Output. +12VDC
CN02-08 Exhaust Vent, Output. +12VDC
CN02-09 Inverter, Output. +12VDC

CN03-10 Action Area "ON". (sink)
CN03-11 Action Area "OFF". (sink)
CN03-12 System Enable, Input. +12VDC (.15 Amp.)
CN04-13 Heat, Output. +12VDC
CN04-14 A/C, Output. +12VDC
CN04-15 Fan Medium, Output. +12VDC
CN04-16 Fan Low, Output. +12VDC
CN04-17 Fan High, Output. +12VDC

CN04A Fan Medium, Output. +12VDC
CN04A Fan Low Output. +12VDC
CN04A Fan High Output. +12VDC

CN05-18 02 Compartment, Output. +12VDC
CN05-19 Aux. 4, Output. +12VDC

CN06-20 Strobes, 12VDC, 1 Ampere, Output.
CN06-21 Primary, 12VDC, 1 Ampere, Output.
CN06-22 Secondary, 12VDC 1 Ampere, Output.
CN06-23 Strobes, Negative Output.
CN06-24 Primary, Negative Output.
CN06-25 Secondary, Negative Output.

CN07-58 F33 Output. +12VDC
CN07-59 F29 Output. +12VDC
CN07-60 F30 Output. +12VDC

CN07-61 F31 Output +12VDC

CN08-54 Vacuum Pump, Output. +12VDC

CN08-55 Horn/Siren, Common. (Isolated Contact)

CN08-56 Horn, Normally Closed. (Isolated Contact)

CN08-57 Siren, Normally Open. (Isolated Contact)

CN09-48 Fog Lights, Output. +12VDC

CN09-49 Left Front Flood, Output. +12VDC

CN09-50 Left Rear Flood, Output. +12VDC

CN09-51 Right Rear Flood, Output. +12VDC

CN09-52 Right Front Flood, Output. +12VDC

CN09-53 Rear Floods, Output. +12VDC

CN10-45 Ignition, Input. +12VDC (.15 Ampere)

CN10-46 External Compartment Door. (sink)

CN10-47 Ignition Power, Output. +12VDC

CN11-39 Transmission in Park, Input, (sink).

CN11-40 Emergency Brake, Input, (sink).

CN11-41 High Idle Output, .3 Ampere, (sink).

CN11-42 Left Rear Door, Input.

CN11-43 Clearance Light, Input. +12VDC (.15 Ampere)

CN11-44 Reverse, Input. +12VDC (.15 Ampere)

CN12-36 System Power, Output. +12VDC

CN12-37 Clearance Light, Output. +12VDC

CN12-38 Back-Up Alarm, Output. +12VDC

CN13-32 Light Bar, Output. +12VDC

CN13-33 Aux. 1, Output. +12VDC

CN13-34 Aux. 2, Output. +12VDC

CN13-35 Aux. 3, Output. +12VDC

CN14-26 Wig-Wag, Right in Low Beam.

CN14-27 Wig-Wag, Right Out Low Beam.

CN14-28 Wig-Wag, Left in Low Beam.

CN14-29 Wig-Wag, Left Out Low Beam.

CN14-30 Right Door Open, Input. (sink)

CN14-31 Rear Door Open, Input. (sink)

CN15-80 High Beam In OEM.

CN15-81 High Beam Out Wig-Wag.

CN15-82 Left Beam In OEM.

CN15-83 Left Beam Out Wig-Wag.

CN15-84 Right Beam In OEM

CN15-85 Right Beam Out Wig-Wag

CN16-74 Battery Negative
CN16-75 Battery Negative
CN16-76 Battery Negative
CN16-77 Battery Negative
CN16-78 Battery Negative
CN16-79 Battery Negative

CN17-68 Battery Negative
CN17-69 Battery Negative
CN17-70 Battery Negative
CN17-71 Battery Negative
CN17-72 Battery Negative
CN17-73 Battery Negative

CN18-62 Heat Common (sink)
CN18-63 A/C Common (sink)
CN18-64 Battery Negative
CN18-65 Battery Negative
CN18-66 Battery Negative
CN18-67 Battery Negative

R. C. Tronics Incorporated

2573 East Kercher Road
Goshen, Indiana 46528
<https://www.rctronics.com>

Phone 1-574-642-3857
Fax 1-574-642-3858
Toll Free: 1-866-457-7790

J1 thru J6 DATA CABLE INTERFACE TO RCT-01479-P

FRONT SWITCH PANEL J1-J2 / DATA CABLE: DAT-01352-00XXX

J1-01 OPEN EXTERNAL COMPARTMENT (SINK)
J1-02 DOOR OPEN (SINK)
J1-03 LIGHT BAR, (12 VDC @ 1 AMPERE)
J1-04 AUX. #1 (MAXIMUM CURRENT 1 AMPERE)
J1-05 AUX. #2 (MAXIMUM CURRENT 1 AMPERE)
J1-06 AUX. #3 (MAXIMUM CURRENT 1 AMPERE)
J1-07 MODULE MASTER SWITCH (SINK)
J1-08 BACK-UP ALARM INHIBIT (SINK)
J1-09 FOG LIGHT (SINK)
J1-10 LEFT FLOOD (SINK)
J1-11 RIGHT FLOOD (SINK))
J1-12 REAR FLOOD (SINK)
J1-13 SIREN / HORN (SINK)
J1-14 SECONDARY (SINK)
J1-15 PRIMARY (SINK)
J1-16 CLEARANCE LIGHT (12VDC)
J1-17 AUXILIARY #4 / RIGHT REAR DOME (SINK)
J1-18 LOW VOLTAGE (SINK)
J1-19 SYSTEM ENABLE (12VDC @ .15 AMPERE)
J1-20 BATTERY NEGATIVE
J2-A1 MODULE MASTER ENABLE (SINK)
J2-A2 BUZZER (SINK)
J2-A3 CODE GREEN (SINK)
J2-A4 CODE AMBER (SINK)
J2-A5 CODE RED (SINK)
J2-A6 HORN / SIREN LED (SINK)
J2-A7 EMERGENCY MASTER TO J7-05
J2-A8 HORN SIREN (RELAY 28) (Q8 EMITTER) (SINK)
J2-A9 SYSTEM ENABLE (12VDC)
J2-A10 BATTERY NEGATIVE

REAR SWITCH PANEL J3 / DATA CABLE: DAT-01351-00XXX

J3-01 CODE RED (SINK)
J3-02 CODE AMBER (SINK)
J3-03 CODE GREEN (SINK)
J3-04 BUZZER (SINK))
J3-05 MODULE MASTER ENABLE (SINK))
J3-06 CLEARANCE LIGHT (12VDC)
J3-07 SYSTEM ENABLE (12VDC)
J3-08 VACUUM PUMP (SINK))
J3-09 MODULE MASTER SWITCH (SINK)
J3-10 BATTERY NEGATIVE
J3-11 AUX. #4 (SINK)
J3-12 O2 COMPARTMENT (SINK)
J3-13 FAN HIGH (SINK)
J3-14 FAN MEDIUM (SINK)
J3-15 A / C (SWITCH TO GROUND)
J3-16 HEAT (SINK)
J3-17 INVERTER (SINK)
J3-18 CENTER DOME HIGH / AUXILIARY #6 (SINK)
J3-19 CENTER DOME LOW / AUXILIARY #7 (SINK)
J3-20 EXHAUST VENT (SINK)
J3-21 ACTION AREA (SINK)
J3-22 RIGHT / DOME LOW (SINK)
J3-23 RIGHT / DOME HIGH (SINK)
J3-24 LEFT / DOME LOW (SINK)
J3-25 LEFT / DOME HIGH (SINK)

EXTERIOR COMPARTMENT LIGHT CONTROL J4 RCT-00450 / DATA CABLE: DAT-01346-00XXX

J4-01 RIGHT FLOODS (SINK)
J4-02 SYSTEM ENABLE (12VDC)
J4-03 LEFT FLOODS (SINK)

AUXILIARY POWER BOARD J5 RCT-02329 / DATA CABLE: DAT-01348-00XXX

J5-01 OPEN
J5-02 OPEN
J5-03 IGNITION (12VDC)
J5-04 CLEARANCE LIGHT (12VDC)
J5-05 EMERGENCY MASTER (SINK)
J5-06 BATTERY NEGATIVE
J5-07 MODULE MASTER (SINK)
J5-08 SYSTEM ENABLE (12VDC)

FLASHER RCT-00772 J6 / DATA CABLE: DAT-01346-00XXX

J6-01 BATTERY NEGATIVE
J6-02 PRIMARY (SINK)
J6-03 SECONDARY (SINK)

R. C. Tronics Incorporated

2573 East Kercher Road
Goshen, Indiana 46528
Toll Free 1-866-457-7790

Phone 1-574-642-3857
Fax 1-574-642-3858
<http://www.rctronics.com>

RCT-01479-P AMBULANCE POWER CENTER, DIP SWITCH SETTINGS.

Dip Switch I - Dome Lights (Set ON): = "ON" with Battery. / "OFF" = "ON" with Ignition Only".



Dip Switch J - Power Diode (Set ON): = "ON" with Battery / "OFF", = "Power Diode", with "System Enable".



Dip Switch B - Right/Dome Lights (Set ON): = "ON" operates from PCB-02112, Switch #9".



Dip Switch A - Dome Lights Select (Set ON) = "ON" operate Dome Lights when "Right or Rear Doors open, Dome Lights "OFF" when door closes, timed 2 minutes, delay off. (Dip Switch 5, "OFF", enables timer).



Dip Switch D - "Set OFF" = inhibits timing action of "Action Area Lights".



Dip Switch C - Low Voltage Warning (Set ON) = "ON" to provide output to audible and visual display. Normally "OFF" when RCT-0176, load-manager is installed.



Dip Switch L - Fog Light Output (Set OFF) = "ON", Fog Light with "High Beams", at Term. 80-81" is present.



Dip Switch H - (Set OFF) = "ON" operates Rear Floods at, "Left / Right Side Floods" with "Rear Floods".



Dip Switch K - (Set ON) = removes output on Aux. 1, 2 & 3, when "Transmission Is in Park" (Wig-Wag).



Dip Switch F - (Set ON) = inhibits "Rear Flood Lights "ON", in Reverse.



Dip Switch E - (Set OFF) = to enable Switch 14 on PCB-02112.



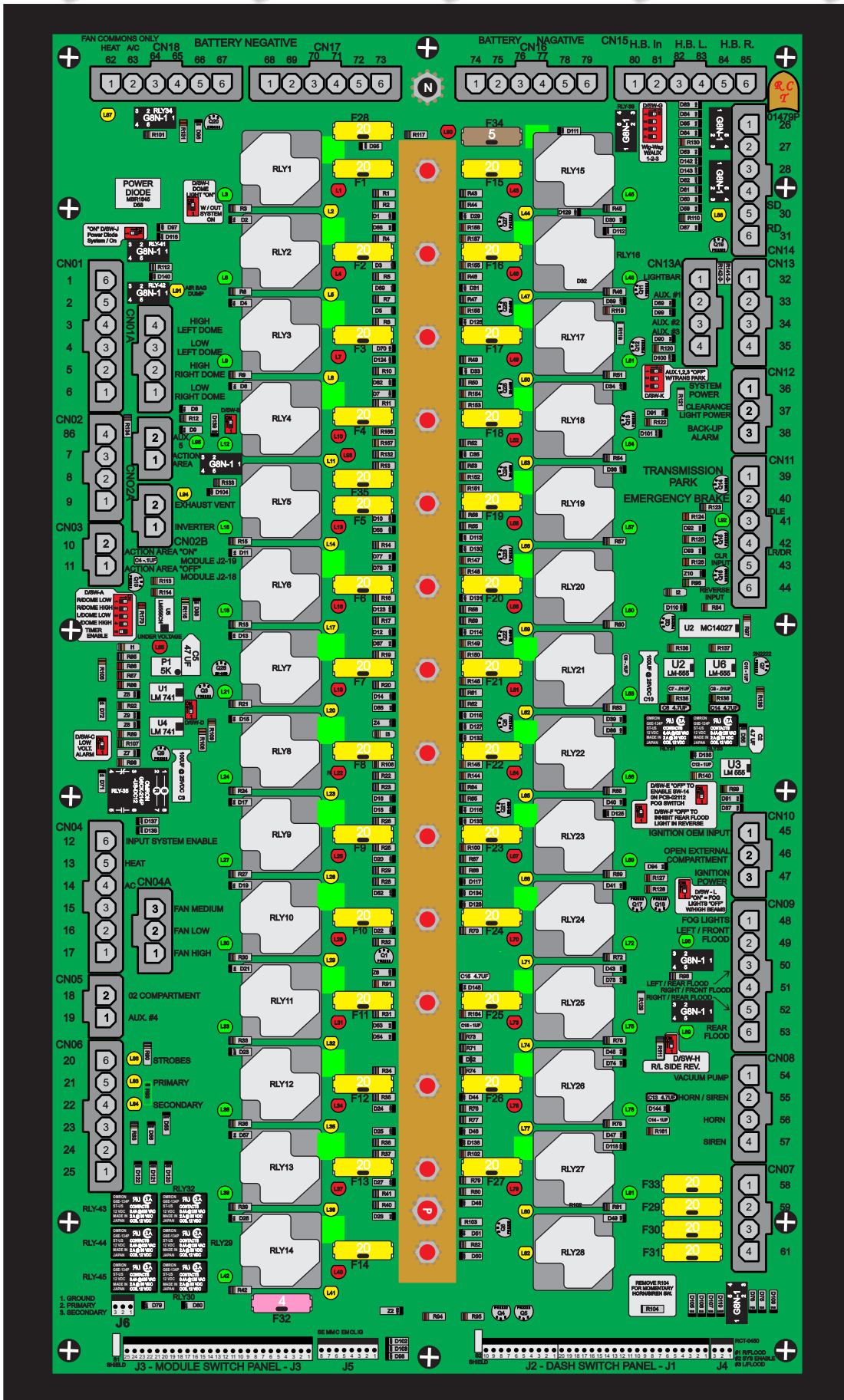
Dip Switch G, Operates Relay 37, terminals 50, 51 & 52, Switch 1, Aux. #1 - Switch 2, Aux. #2 - Switch 3, Aux. #3. Amber Led (L88) shows operation of relays 36 & 37. (Normally used for Disconnect of Running Lights.)



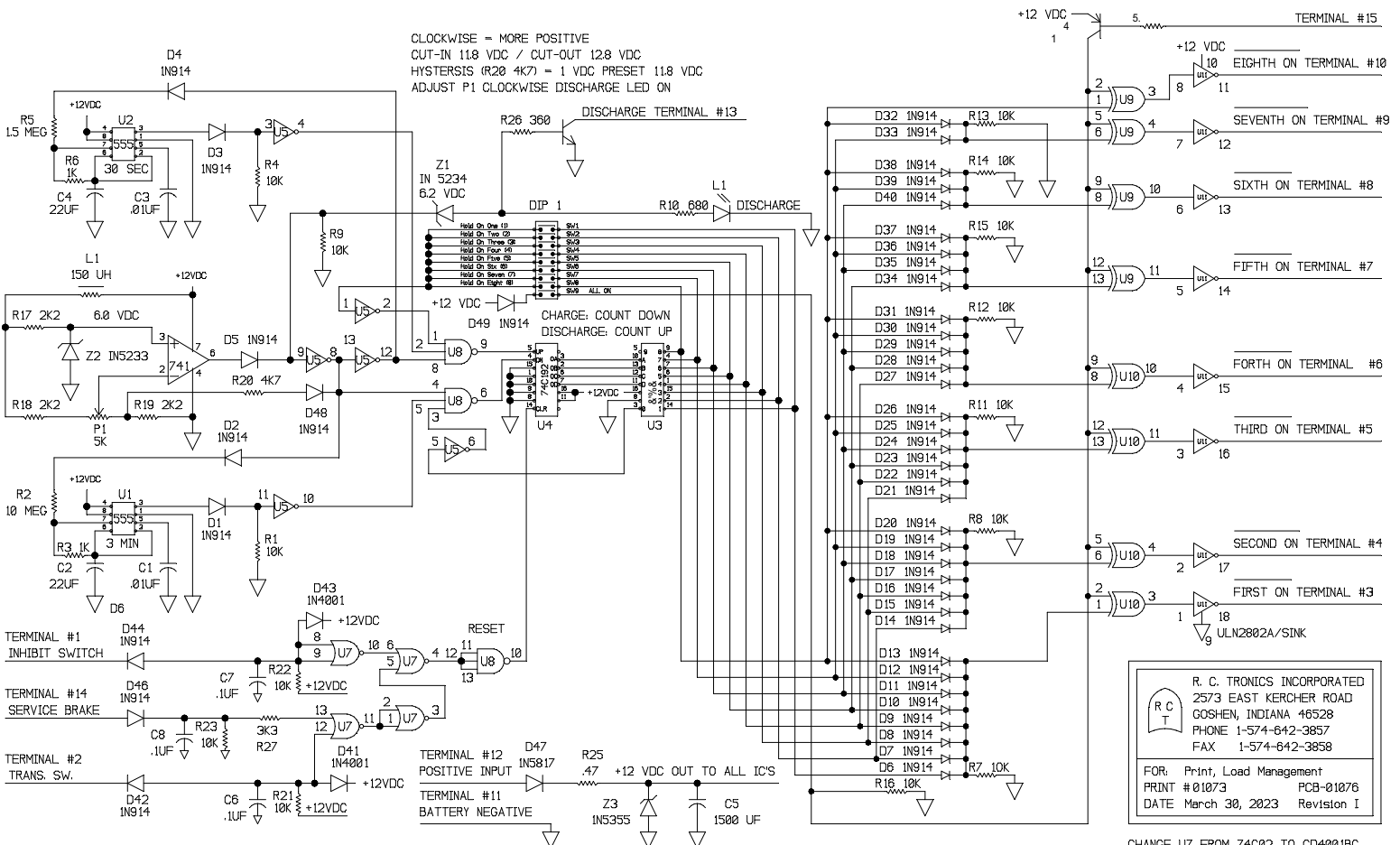
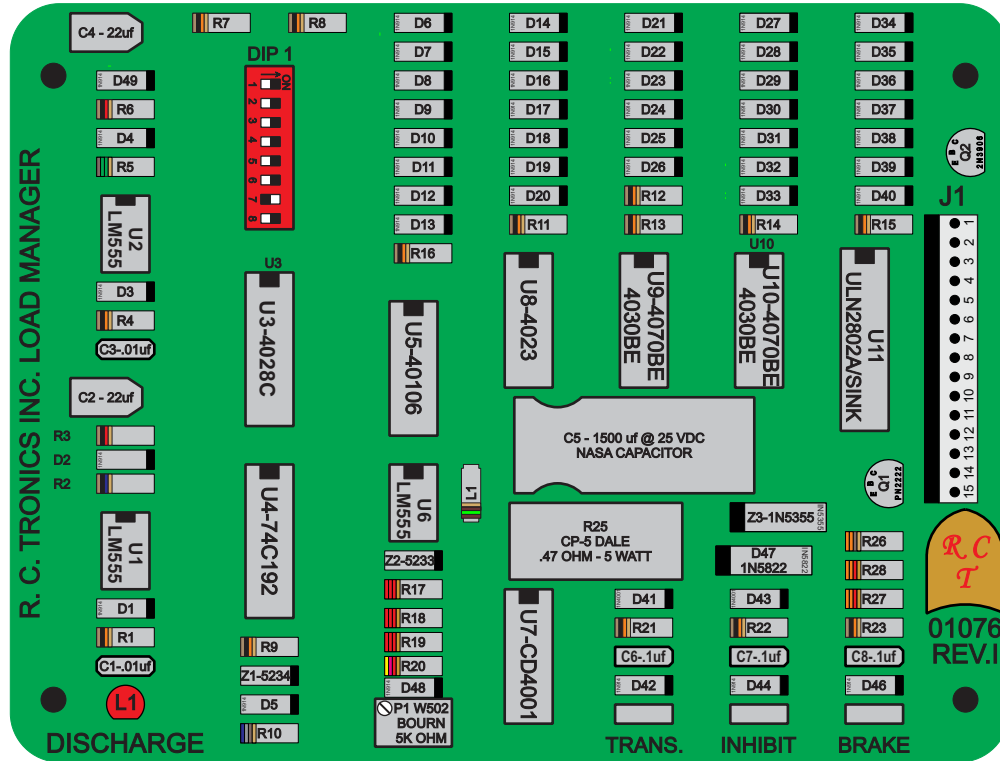
R. C. Ironics Incorporated

SEPTEMBER 04, 2022

RCT-01 479-P Plug-In-Play, Ambulance Power Center

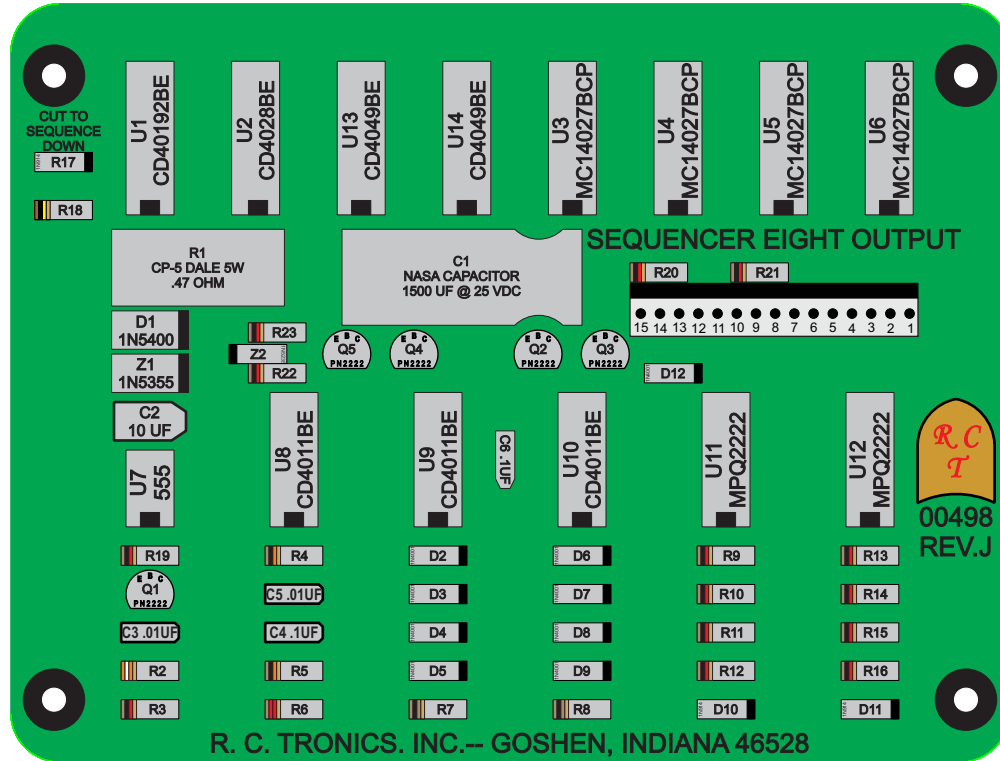


LOAD MANAGER, PCB-01076 & PRINT, 01073/I

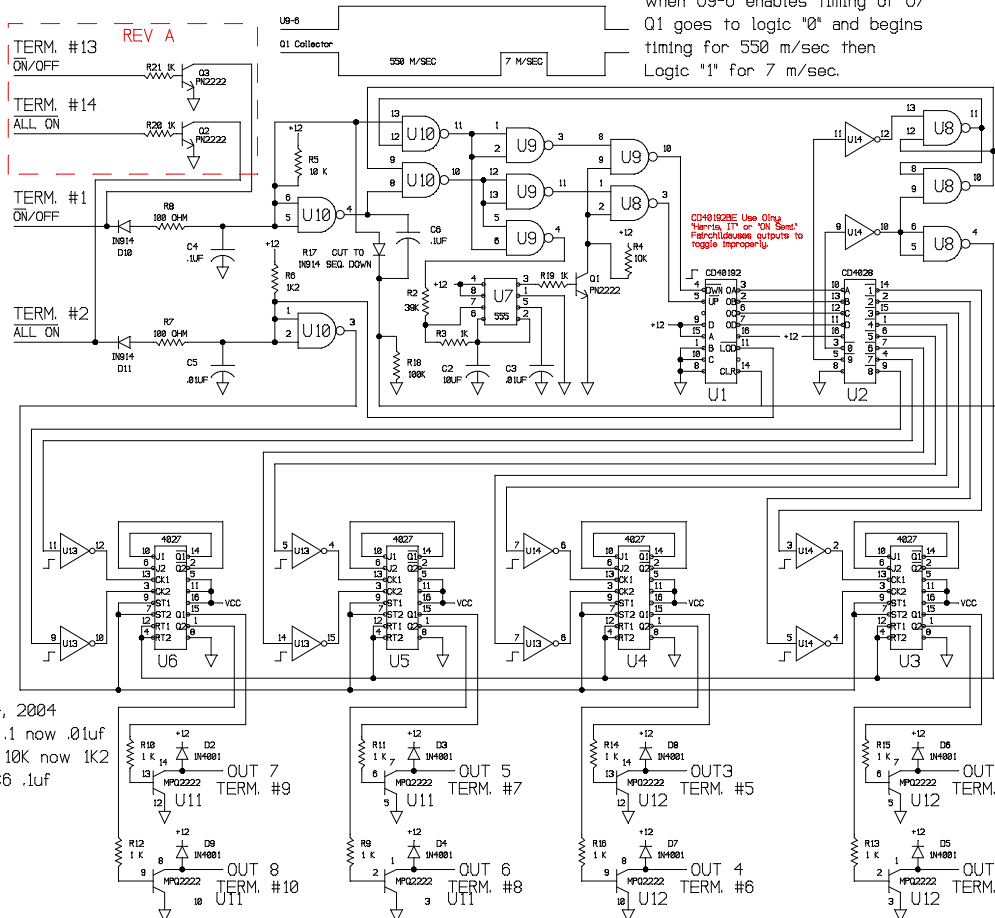


CHANGE U7 FROM 74C02 TO CD4001BC

SEQUENCER, PCB-00498-I & PRINT, PCB-00497-I



DECEMBER 18, 2016. CHANGED U8-U9 & U10 TO CD4011BE

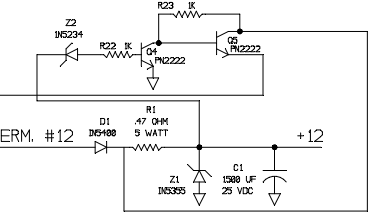


When U9-6 enables timing of U7 Q1 goes to logic '0' and begins timing for 550 m/sec then Logic '1' for 7 m/sec.

I also changed u7-4 to U9-6 and placed R2 resistor to VCC. We have had trouble seq. down.

PIN/FUNCTION	CABLE BELDEN 8458	CABLE CAROL C4073
TERMINAL #1---ON/OFF	WHITE/BLACK	
TERMINAL #2---ALL ON	RED/BLACK	
TERMINAL #3---FIRST ON	ORANGE	
TERMINAL #4---SECOND ON	BLACK	
TERMINAL #5---THIRD ON	GREEN/BLACK	
TERMINAL #6---FORTH ON	BLUE/BLACK	
TERMINAL #7---FIFTH ON	ORANGE/BLACK	
TERMINAL #8---SIXTH ON	WHITE	
TERMINAL #9---SEVENTH ON	BLACK/WHITE	
TERMINAL #10---EIGHTH ON	RED/WHITE	
TERMINAL #11---BATTERY NEGATIVE	RED	
TERMINAL #12---BATTERY POSITIVE	GREEN	
TERMINAL #13 ON/OFF (12 VDC)	GREEN/WHITE	
TERMINAL #14 ALL ON (12 VDC)	BLUE/WHITE	
TERMINAL #15---NOTUSED	BLUE	

April 14, 2004
 C5 was .1 now .01uf
 R6 was 10K now 1K2
 Added C6 .1uf



R. C. TRONICS INCORPORATED
 2573 EAST KERCHER ROAD
 GOSHEN, INDIANA 46528
 PHONE 1-574-642-3857
 FAX 1-574-642-3858

FOR: SEQUENCING UP/DOWN
 PRINT # 00497-J (SEE PCB-00498-J)
 DATE DECEMBER 18, 2016

RCT-01076-I Load Manager

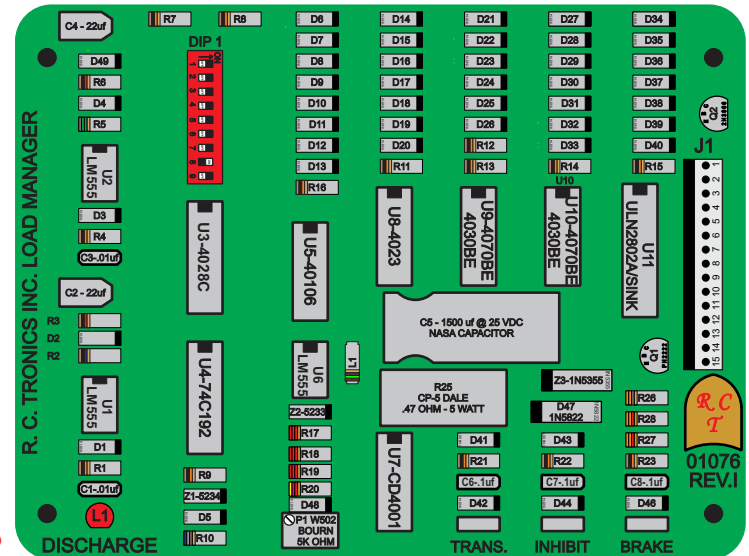
Setting "ON" at switches 1 thru 8.

*(Note; only one of these switches may be set.
All others must be set to the "OFF" position.)*

- #1 Switch Manages: One Load.
- #2 Switch Manages: Two Loads.
- #3 Switch Manages: Three Loads.
- #4 Switch Manages: Four Loads.
- #5 Switch Manages: Five Loads.
- #6 Switch Manages: Six Loads.
- #7 Switch Manages: Seven Loads.
- #8 Switch Manages: Eight Loads.
- #9 Switch Set "OFF": Outputs to Logic 1.
Set "ON": Outputs to logic 0.

Note:

*#9 Switch, set "OFF" for RCT-00743, RCT-01479
or RCT-02730, Ambulance Power Center System.*



Unit maintains battery current to safe levels by monitoring battery voltage. At a preset "CUT-IN" of 11.8 vdc it will remove up to eight loads on 30 second intervals. As battery reaches "CUT-OUT" of 13 vdc the unit will re-apply the loads in 3 minute intervals. The amount of loads is user adjustable, via DIP 1, switches 1 thru 8.

Adjusting P1 clock-wise, (twenty turn potentiometer) will cause the system to manage loads at a higher battery voltage. Example, preset "cut-in" 13 vdc with a "cut-out" 14 vdc.

To set: With a known "CUT-IN" system voltage of 11.8 vdc. Adjust P1 counter-clockwise until, "RED LED DISCHARGE IS OFF". Next, adjust P1 clockwise until, "RED LED DISCHARGE IS ON".

Trans. Switch: Enables unit, permits load management. (12 VDC common @ 1 ma. sink)

Inhibit Switch: Inhibits unit from removing connected loads. (VDC common @ 1 ma. sink)

Brake Switch: Re-applies all connected loads, momentary input. (12 VDC @ 1ma. Source)

J1-01 Inhibit Switch: Inhibits unit from removing connected loads. (VDC common @ 1 ma. sink)

J1-02 Trans. Switch: Enables unit permits load management. (VDC common @ 1 ma. sink)

J1-03 First On/Off.

J1-04 Second On/Off.

J1-05 Third On/Off.

J1-06 Forth On/Off.

J1-07 Fifth On/Off.

J1-08 Sixth On/Off.

J1-09 Seventh On/Off.

J1-10 Eighth On/Off.

J1-11 Battery Negative

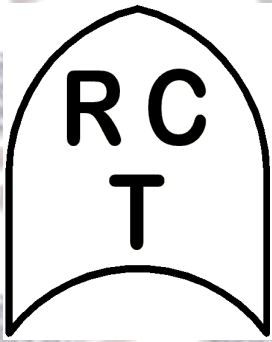
J1-12 Battery Positive

J1-13 Discharge Signal. To Battery Negative 250 ma. Maxium.

J1-14 Service Brake Re-applies all connected loads, momentary input. (12 VDC @ 1ma. source)

J1-15 Start with all loads on when at Battery Negative.

R.C. Tronics Inc.



SPECIALIZING IN ELECTRONIC CONTROLS

2573 East Kercher Road
Phone 1-574-642-3857
Toll Free 1-866-457-7790

GOSHEN, IN 46528
Fax 1-574-642-3858
<http://www.rctronics.com>

Custom Design of Electronic Controls

Transit Bus Systems
Ambulance Systems
Tensile Testing Systems

Printed Circuit Board Layout

Computer Generated Artwork
FR-4 PCB Material
Double-Sided Plated-Thru Hole

Complete Manufacturing Facility

New Era Wave Soldering Machine
Universal Laser System
K.F. Hot Stamp Machine

R. C. Tronics can solve your Electrical / Electronic Control needs